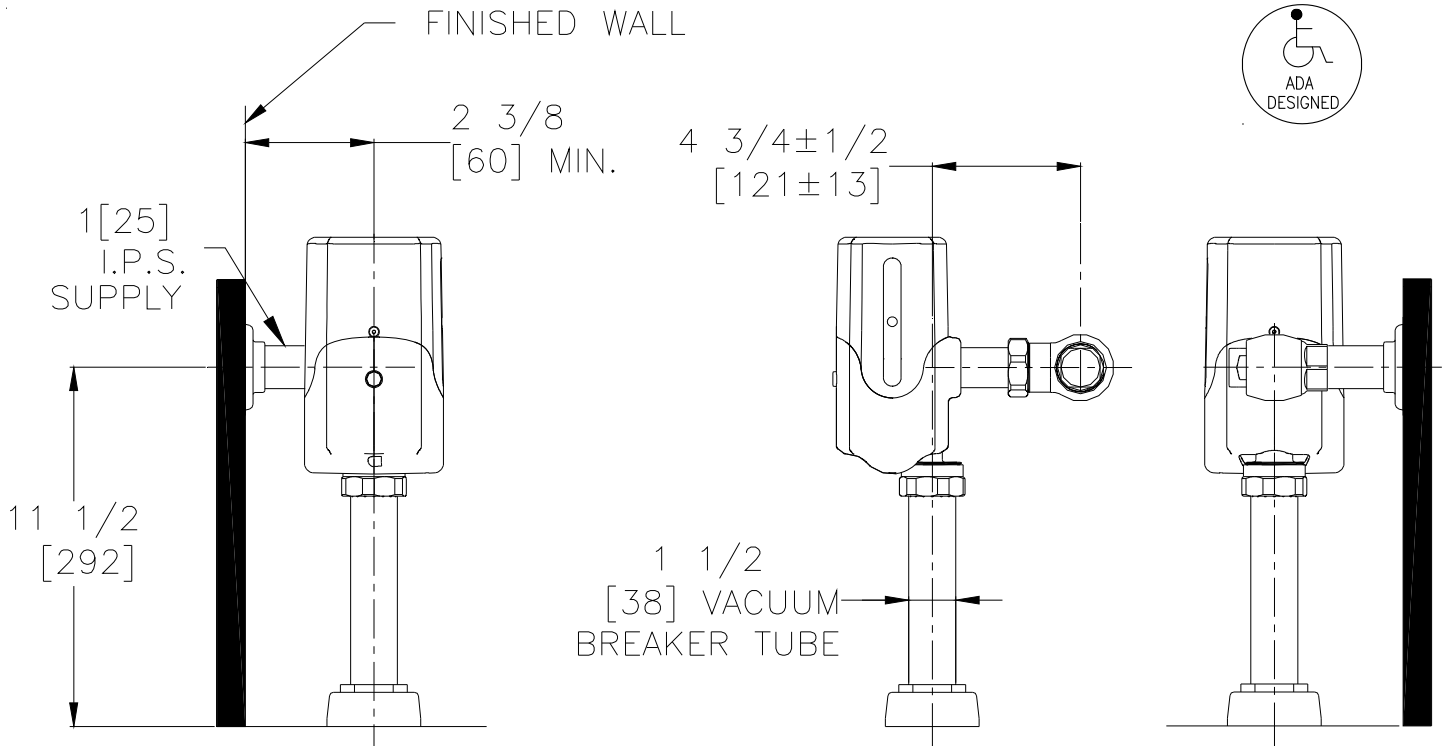


# ZGEN6200EV

## Hydro Generator Powered Flush Valve for 1.28 GPF Water Closets



**Suffix Options (Check/Specify Appropriate Options)**

- \_\_\_\_\_ -YJ Split Ring Pipe Support
- \_\_\_\_\_ -YK Solid Ring Pipe Support
- \_\_\_\_\_ -YO Bumper on Angle Stop
- \_\_\_\_\_ Other

**ENGINEERING SPECIFICATION: ZURN ZGEN6200EV 1.28 GPF Hydro Generator Powered Flush Valve-**

Zurn HydroVantage™ ZGEN6200EV high efficiency 1.28 gpf flush valve operated by Zurn 4.0 Sensor Technology™ and powered by a self sustaining hydro generator which creates electrical energy with each activation and stores it in a rechargeable energy cell. The hydro generator, energy cell, and a back-up battery combine for a self-sustaining system for approximately 10 years. The valve incorporates Zurn Environmental Trending Technology™ which continually monitors light and usage levels to maximize power savings. The valve is furnished with a true manual override button, filtered piston operator, high pressure vacuum breaker, vandal resistant stop cap, sweat solder kit, cast wall flange with set screw and stop valve with anti-siphon back check feature. All gaskets and seals are chemical and chloramine resistant for extended life. Additional features include:

- Data retrieval port
- Cast Brass Valve Body of Dezincification Resistant Alloy
- Diagnostic trouble shooting features
- Replaceable back-up battery
- All metal chrome plated housings
- Five year warranty

This space is for Architectural/Engineering Approval

The information contained in this document is subject to change without notice. Please contact Zurn for most up to date information.

ZURN INDUSTRIES, LLC. ♦ COMMERCIAL BRASS OPERATION ♦ 5900 ELWIN BUCHANAN DRIVE ♦ SANFORD NC 27330

Phone: 1-800-997-3876 ♦ Fax: 919-775-3541 ♦ World Wide Web: www.zurn.com

In Canada: ZURN INDUSTRIES LIMITED ♦ 3544 Nashua Drive ♦ Mississauga, Ontario L4V1L2 ♦ Phone: 905-405-8272 Fax: 905-405-1292