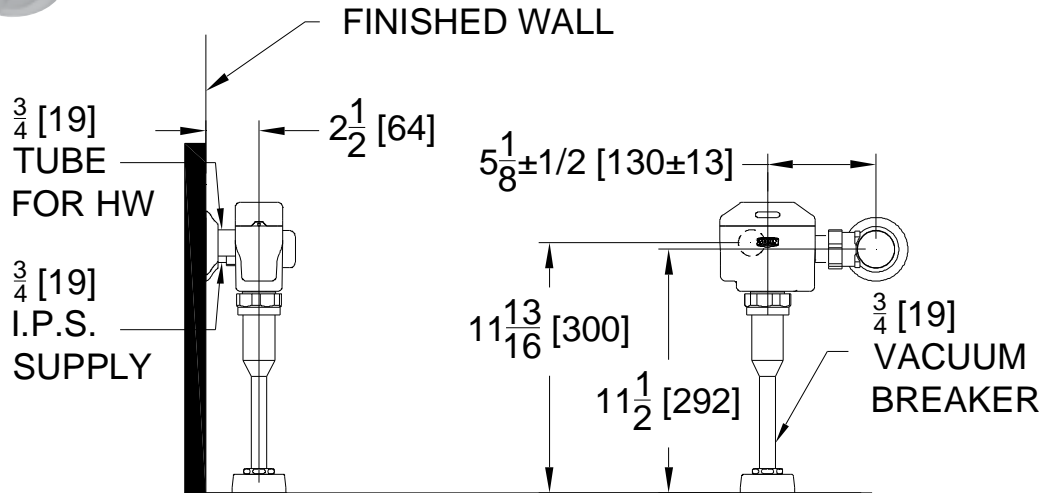
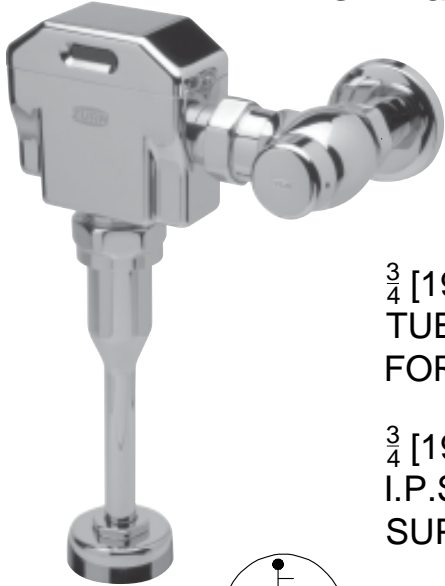




Exposed ZEG6003EV-HW Model

For Hardwired .125 GPF Urinals



Suffix Options (Check/Specify Appropriate Options)

- C For Left Hand Inlet
- YJ Split Ring Pipe Support
- YK Solid Ring Pipe Support
- Other

Performance guaranteed with Zurn EcoVantage fixtures. Please consult Zurn Technical Services at 1-800-997-3876 to discuss the performance of this valve with other manufacturers' fixtures.

ENGINEERING SPECIFICATION: ZURN ZEG6003EV-HW EcoVantage® 'EV' for .125 GPF Urinals - Valve is operated by an infrared convergence-type proximity sensor with smart technology, powered by hardwired convertor, furnished with vandal resistant chrome plated metal housing, and chloramine resistant internal seals. Valve features an internal flow regulator to maintain constant flow rates independent of line pressures and an in-line filter to protect the valve from debris within the water. Complete with high pressure vacuum breaker, one piece hex coupling nut, adjustable tailpiece, spud coupling and flange for top spud connection. Control stop has internal siphon-guard protection, vandal resistant stop cap, sweat solder kit, and a cast wall flange with set screw.

This space is for Architectural/Engineering Approval

The information contained in this document is subject to change without notice. Please contact Zurn for most up to date information.

ZURN INDUSTRIES, LLC. ♦ COMMERCIAL BRASS OPERATION ♦ 5900 ELWIN BUCHANAN DRIVE ♦ SANFORD NC 27330

Phone: 1-800-997-3876 ♦ Fax: 919-775-3541 ♦ World Wide Web: www.zurn.com

In Canada: ZURN INDUSTRIES LIMITED ♦ 3544 Nashua Drive ♦ Mississauga, Ontario L4V1L2 ♦ Phone: 905-405-8272 Fax: 905-405-1292