



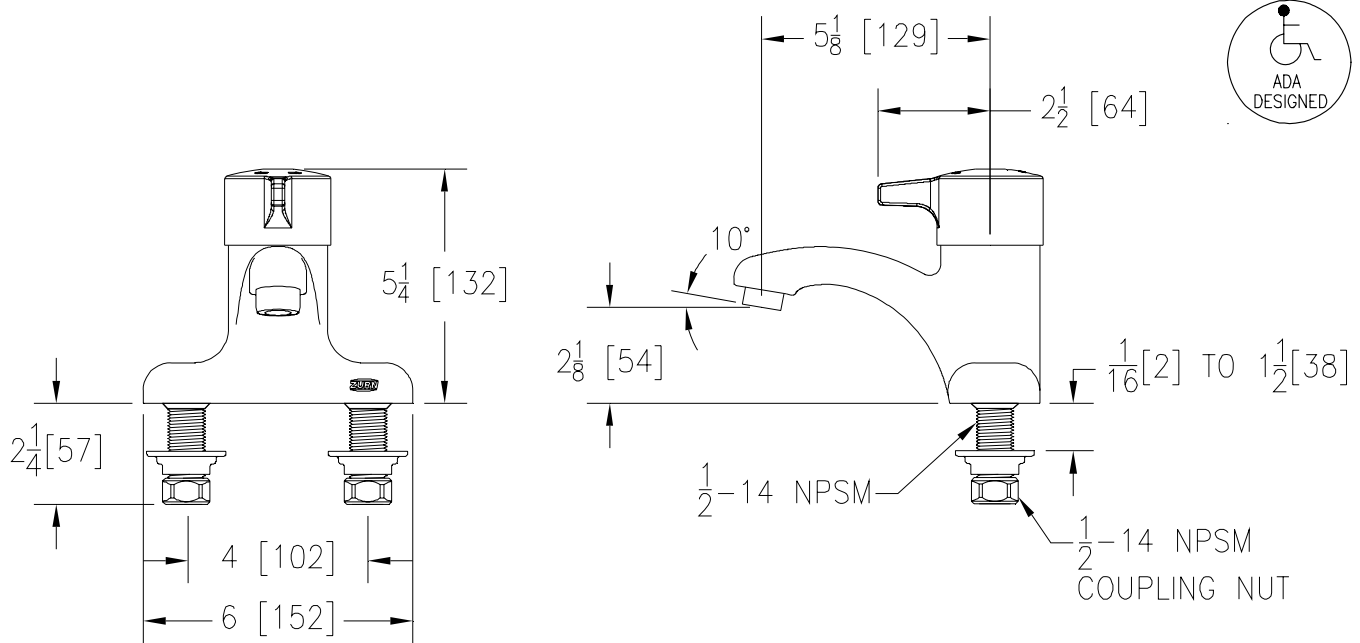
# 4" CENTERSET METERING MIXING Z86000

TAG \_\_\_\_\_



### Engineering Specification: Zurn AquaSpec® Z86000

Polished chrome-plated cast brass, slow-closing metering mixing faucet with integral shanks, integral inlet filter, a 5 1/8" [129mm] long integral cast spout and a vandal-resistant color-coded metal handle. Unit is furnished with a water-conserving spray outlet which reduces flow to .25 GPC [1.0 GPM] (complying with ANSI A112.18.1 Standard for flow), mounting hardware, check stops and 1/2" NPSM coupling nuts for standard lavatory risers. US patent pending.



Note: All dimensions are for reference only. Do not use for pre-plumbing

### OPTIONAL ACCESSORIES

Suffix	Description
—G	1-1/4" [32mm] Grid Strainer Drain
—PT	1-1/4" [32mm] Cast Brass P-Trap with a 7-1/2" [191mm] Long 17-Gauge Wall Bend
—3M	.5 GPM [1.9 L] Vandal-Resistant Pressure Compensating Male Spray Outlet
—16M	1.0 GPM [3.8 L] Vandal Resistant Pressure Compensating Male Spray Outlet

ZURN INDUSTRIES, LLC ♦ COMMERCIAL BRASS OPERATION ♦ 2640 SOUTH WORK STREET ♦ FALCONER NY 14733

Phone: 1-716-665-1132 ♦ Fax: 1-716-665-1135 ♦ World Wide Web: [www.zurn.com](http://www.zurn.com)

In Canada: ZURN INDUSTRIES LIMITED ♦ 3544 Nashua Drive ♦ Mississauga, Ontario L4V1L2 ♦ Phone: 905/405-8272 Fax: 905/405-1292