



GLASS FILLER

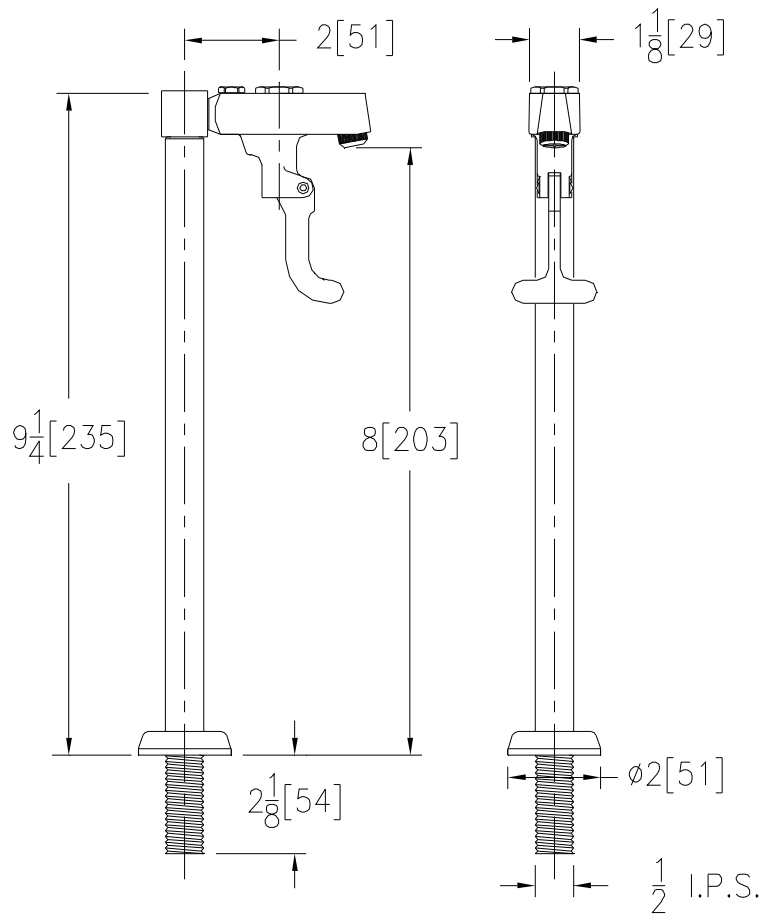
Z83500

TAG _____



Engineering Specification: Zurn AquaSpec® Z83500

Polished chrome pedestal mounted 8"[203mm] high glass filler. Unit furnished with an adjustable escutcheon, a volume regulator and a Lexan push-back arm.



Note: All dimensions are for reference only. Do not use for pre-plumbing.

OPTIONAL ACCESSORIES

Suffix	Description
___ -D13	13"[320mm] Height
___ -WM	Wall Mount

ZURN INDUSTRIES, INC. ♦ COMMERCIAL BRASS OPERATION ♦ 2640 SOUTH WORK STREET ♦ FALCONER NY 14733

Phone: 1-716-665-1132 ♦ Fax: 1-716-665-1135 ♦ World Wide Web: www.zurn.com

In Canada: ZURN INDUSTRIES LIMITED ♦ 3544 Nashua Drive ♦ Mississauga, Ontario L4V1L2 ♦ Phone: 905/405-8272 Fax: 905/405-1292

Rev. D

Date: 3/24/06

C.N. No.103852

Dwg. No. 63000

Product No. Z83500