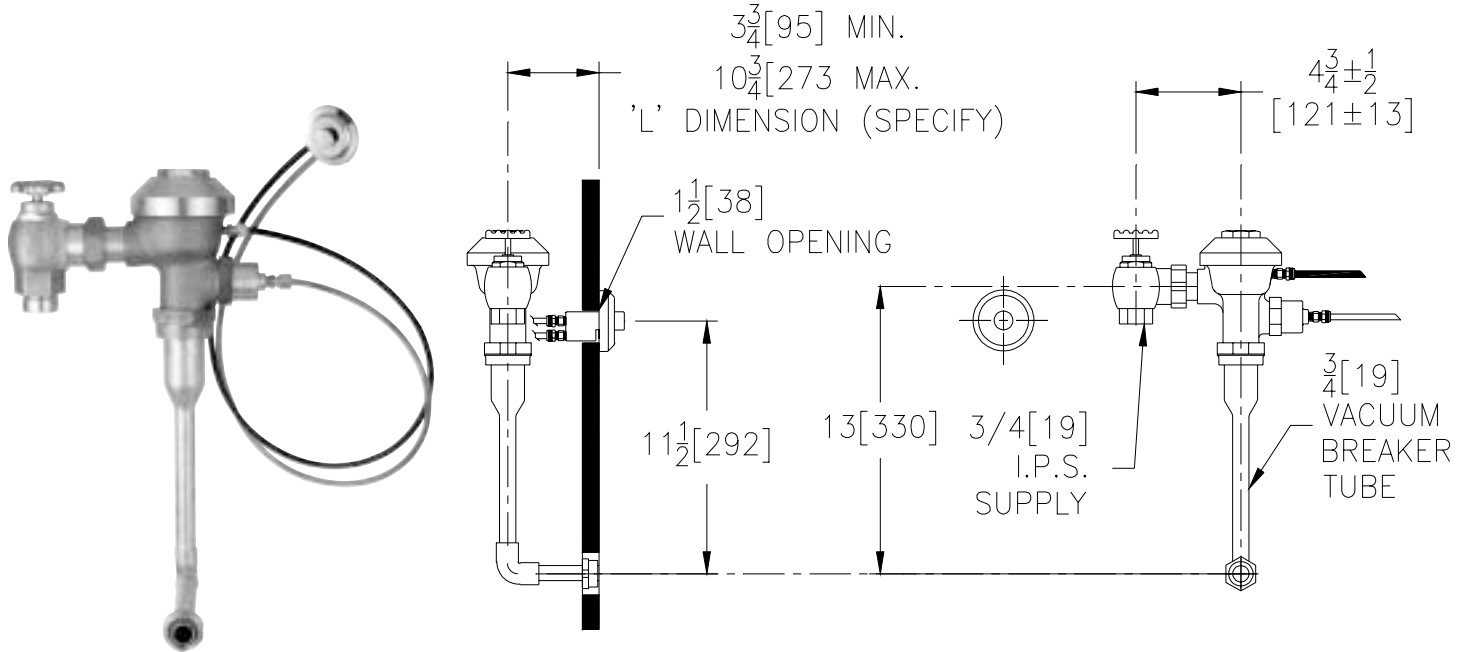




Concealed ZH6613AV-MBP Model with Hydraulic Actuation for Penal Urinal Fixtures



Flow Options

- WS1** 1.0 Gal. Low Consumption
- Standard Flush** 1.5 Gallons Per Flush

Suffix Options (Check/Specify Appropriate Options)

_____ Other

ENGINEERING SPECIFICATION: ZURN ZH6613AV-MBP AquaVantage® 'AV' Concealed Hydraulic Penal Valve- Concealed, quiet diaphragm-type rough brass flushometer valve with Zurn's AquaVantage® TPE, chloramine resistant, dual seal diaphragm with a clog resistant, triple filtered by-pass. The valve is complete with a non-hold open type hydraulic push button actuator that may be located up to 36" [914] (7' [2133] with -SW option) from the valve, high back pressure vacuum breaker, one piece hex coupling nut, adjustable tailpiece, elbow flush connection and spud coupling for back spud connection. Control stop has internal siphon-guard protection, and sweat solder kit. Internal seals are made of chloramine resistant materials.

This space is for Architectural/engineering Approval