



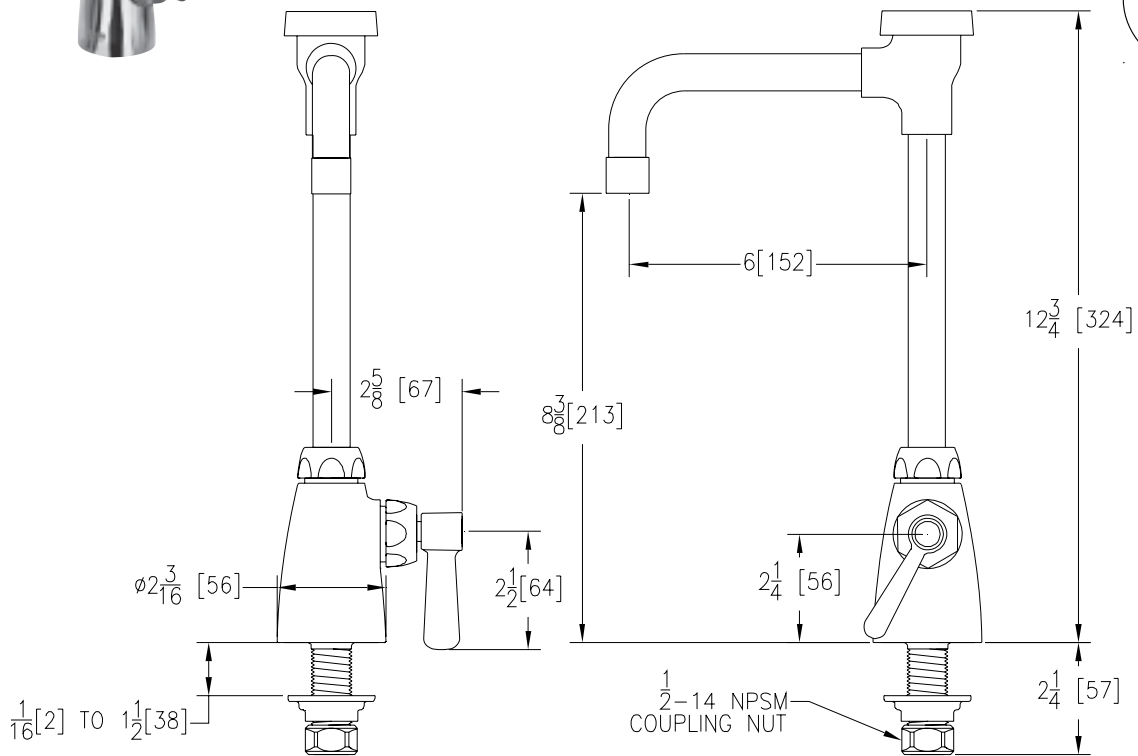
LABORATORY FAUCET - SINGLE Z825U1

TAG _____



Engineering Specifications: Zurn AquaSpec® Z825U1

Polished chrome-plated single laboratory faucet with integral shank, quarter turn ceramic disc cartridge and a 6" [152mm] centerline rigid gooseneck spout with vacuum breaker. Unit is furnished with a 2.2 GPM [8.3 L] pressure compensating aerator (complying with ANSI A112.18.1 Standard for flow), 2-1/2" [64mm] vandal-resistant color-coded metal lever handle, mounting hardware and a 1/2" NPSM coupling nut for standard lavatory riser.



Note: All dimensions are for reference only. Do not use for pre-plumbing.

OPTIONAL ACCESSORIES

| Suffix | Description |
|----------|---|
| ___ -AR | Anti-Rotation Pins |
| ___ -G | 1-1/4" [32mm] Grid Strainer Drain |
| ___ -HCT | Hot/Cold Text Indexes |
| ___ -LP | Low Profile |
| ___ -PT | 1-1/4" [32mm] Cast Brass P-Trap with a 7-1/2" [191mm] Long 17-Gauge Wall Bend |
| ___ -6M | Male Serrated Nozzle Outlet |
| ___ -7M | 1.0 GPM [3.8 L] Pressure Compensating Male Spray Outlet |
| ___ -16M | 1.0 GPM [3.8 L] Vandal Resistant Pressure Compensating Male Spray Outlet |
| ___ -17M | 1.5 GPM [5.7 L] Vandal Resistant Pressure Compensating Male Aerator |
| ___ -18M | 1.5 GPM [5.7 L] Vandal Resistant Pressure Compensating Male Laminar Flow |

ZURN INDUSTRIES, INC. ♦ COMMERCIAL BRASS OPERATION ♦ 2640 SOUTH WORK STREET ♦ FALCONER NY 14733

Phone: 1-716-665-1132 ♦ Fax: 1-716-665-1135 ♦ World Wide Web: www.zurn.com

In Canada: ZURN INDUSTRIES LIMITED ♦ 3544 Nashua Drive ♦ Mississauga, Ontario L4V1L2 ♦ Phone: 905/405-8272 Fax: 905/405-1292