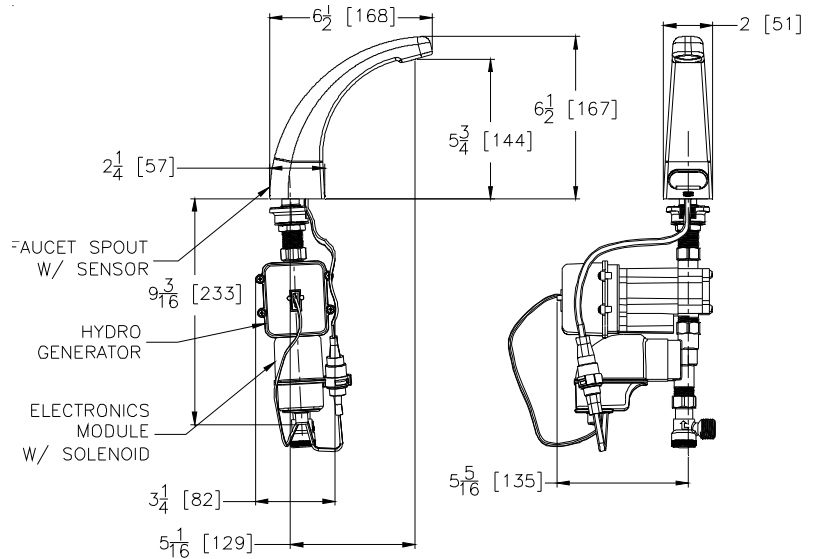


# Z6913-XL-GEN

Lavatory Faucet with Hydroelectric Generator



Shown with -CP4 option



## Flow Control Options

- J 1.5 gpm/ 5.7 Lpm Vandal-Resistant Laminar Flow
- K 1.0 gpm/ 3.8 Lpm Vandal-Resistant Laminar Flow
- L 1.0 gpm/ 3.8 Lpm Vandal-Resistant Aerator

## Engineering Specification

ADA compliant, chrome plated sensor faucet for retrofit and new construction.

- Flow Rate
  - 1.5 gpm Vandal Resistant Aerator
- Occupant Detection
  - Infrared convergence-type proximity sensor
  - Thirty Second Time out feature
- Spout module
  - Chrome Plated Cast Brass
- Also Includes
  - In-line filter
  - Inlet for a 1/2"[13] ball riser

*Zurn Lead Compliant products (-XL) are manufactured to comply with state laws and local codes that mandate lead content levels less than one quarter of one percent (0.25%) total lead content by weighted average.*

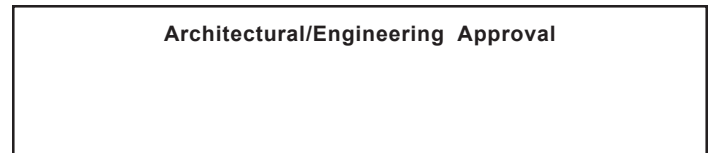
## Accessories

- ADM Above Deck Mixer
- ADM-1 Above Deck Mixer w/4" Cover Plate
- ADM-2 Above Deck Mixer w/8" Cover Plate
- CP4 Cover Plate 4"[102] Centers
- CP8 Cover Plate 8"[203] Centers
- DSA Drug Screening Applications (Hardwired Applications)
- H4 Wrist Blade Handle for ADM
- MT Mixing Tee
- MV Temperature Mixing Valve
- SH Supply Hoses for Mixing Valve
- SSH Single Stainless Supply Hose (-XL)
- TMV Thermostatic Mixing Valve for Multiple Faucets
- TMV-1 Thermostatic Mixing Valve for Single Faucets
- \_\_\_\_\_ Other

ZURN INDUSTRIES, LLC. ♦ COMMERCIAL BRASS OPERATION  
 5900 ELWIN BUCHANAN DRIVE ♦ SANFORD NC 27330  
 Phone: 1-800-997-3876 ♦ Fax: 919-775-3541  
 www.zurn.com

In Canada: ZURN INDUSTRIES LIMITED  
 3544 Nashua Drive ♦ Mississauga, Ontario L4V1L2  
 Phone: 905-405-8272 Fax: 905-405-1292

AquaVantage® is a registered trademark of Zurn Industries, LLC.



The information contained in this document is subject to change without notice.  
 Please contact Zurn for most up to date information.