

# Z6950-XL-S

Aqua-FIT® Battery Powered Faucet



Patented and Patent Pending

## Flow Control Options

- E 1.5 gpm/ 5.7 Lpm Vandal-Resistant Aerator
- F 0.5 gpm/1.9 Lpm Vandal-Resistant Non-Aerated
- J 1.5 gpm/ 5.7 Lpm Vandal-Resistant Laminar Flow
- K 1.0 gpm/ 3.8 Lpm Vandal-Resistant Laminar Flow
- L 1.0 gpm/ 3.8 Lpm Vandal-Resistant Aerator
- M 0.35 gpm/1.3 Lpm Vandal-Resistant Non-Aerated
- N 0.5 gpm/ 1.9 Lpm Vandal-Resistant Laminar Flow

## Power Supply Choices (Sold Separately)

- ACA 6 VDC Plug-In Power Converter
- HW6 Hardwired Power Converter
- LL "10 Year Battery" - Long Life

## Optional Power Supply Accessories

- CWB Connector Wire for Hardwire Install
- MJ Mini Junction Box

**NOTE: For Hardwire applications furnish P6000-HW6 power converter. Order P6000-HW6 power converter separately.**

**The P6000-HW6 and P6000-MJ will power up to 8 sensor faucets.**

ZURN INDUSTRIES, LLC. ♦ COMMERCIAL BRASS OPERATION  
5900 ELWIN BUCHANAN DRIVE ♦ SANFORD NC 27330  
Phone: 1-800-997-3876 ♦ Fax: 919-775-3541  
www.zurn.com  
In Canada: ZURN INDUSTRIES LIMITED  
3544 Nashua Drive ♦ Mississauga, Ontario L4V1L2  
Phone: 905-405-8272 Fax: 905-405-1292

Aqua-FIT® is a trademark of Zurn Industries, LLC.

## Engineering Specification

ADA compliant, battery powered, chrome plated sensor faucet for retrofit and new construction.

- Customizable Settings
  - Time-out
  - Line Purge
  - Sensor Range
  - Metering Mode
- Occupant Detection
  - Infrared convergence-type proximity sensor
  - Thirty Second Time out feature
- Spout module
  - Chrome Plated Cast Brass
- Also Includes
  - In-line filter
  - 4 "AA" batteries
  - Inlet for a 1/2"[13] ball riser

## Accessories

- 5S 5 sec. Timeout
- 10S 10 sec. Timeout
- 15S 15 sec. Timeout
- 60S 60 sec. Timeout
- ADM Above Deck Mixer
- CP4 Cover Plate 4"[102] Centers
- CP8 Cover Plate 8"[203] Centers
- H4 Wrist Blade Handle for ADM
- LP12 Line Purge 2 min/12 hr
- LP24 Line Purge 2 min/24 hr
- LP48 Line Purge 2 min/48 hr
- MT Mixing Tee
- MV Temperature Mixing Valve
- SH Supply Hoses for Mixing Valve
- SSH Single Supply Hose
- TMV Thermostatic Mixing Valve for Multiple Faucets
- TMV-1 Thermostatic Mixing Valve for Single Faucets
- \_\_\_\_\_ Other

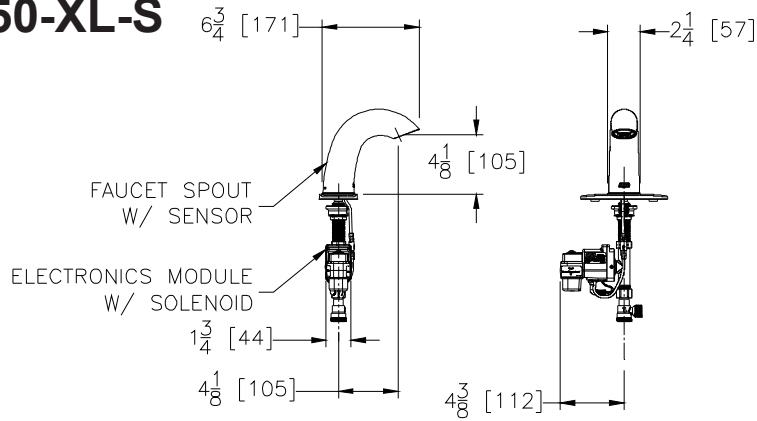
The information contained in this document is subject to change without notice.  
Please contact Zurn for most up to date information.

**Architectural/Engineering Approval**

# TYPICAL Z6950-XL-S

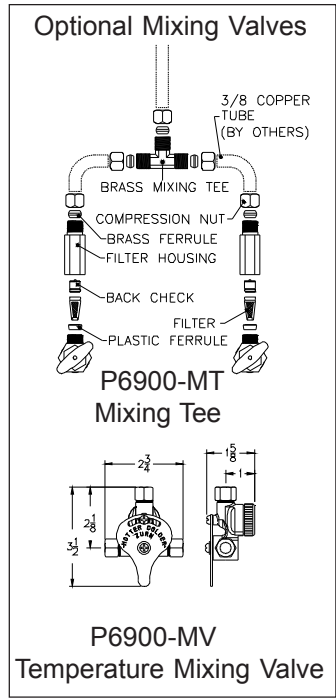
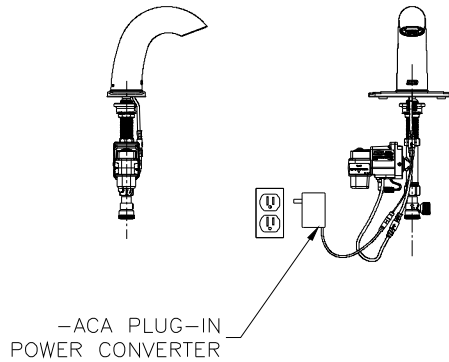
## AquaSense Battery Powered Faucet

NOTE: Recommended through hole diameter to properly mount the spout/shank is 1-1/8" to 1-1/4".



# TYPICAL Z6950-XL-S-ACA

## AquaSense Plug-In Powered Faucet



# TYPICAL Z6950-XL-S-CWB

## AquaSense Hardwire Powered Faucet

Optional:  
\* Optional -MJ mini junction box for connecting up to 8 faucets

NOTE: MUST USE EITHER ZURN P6000-HW6 HARDWIRE POWER CONVERTER OR ZURN P6000-ACA PLUG-IN POWER CONVERTER TO ENSURE PROPER OPERATION. USING A POWER CONVERTER OTHER THAN ZURN MAY RESULT IN OPERATION MALFUNCTION OR UNIT FAILURE.

