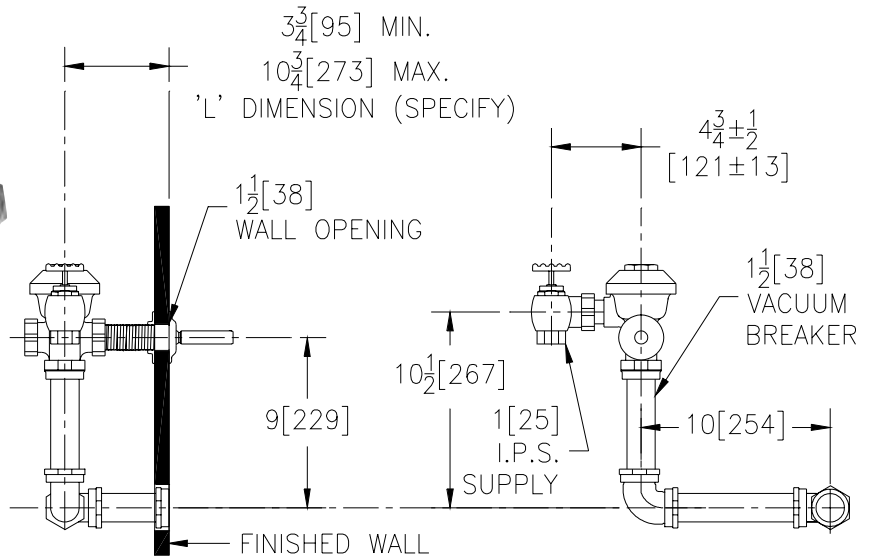




Aquaflush®

TAG _____

Concealed Z6144 Model for Water Closets



Flow Options

- WS1** 1.6 Gal. Low Consumption
- FF** 4.5 Gal. Full Flush
- Standard Flush** 3.5 Gallons Per Flush

Suffix Options (Check/Specify Appropriate Options)

- _____ **-BG** BioCare ADA Handle
- _____ **-L** 1" [25] Metal Push Button
- _____ **-L3** 3" [76] Metal Push Button
- _____ **-YB** Sweat Solder Kit
- _____ Other

ENGINEERING SPECIFICATION: ZURN Z6144 Aquaflush Concealed Closet Flush Valve - Concealed, quiet diaphragm-type rough brass flushometer valve with chloramine resistant, dual seal diaphragm with a clog resistant by-pass. Complete with a non-hold open and no leak handle feature, high back pressure vacuum breaker, flush tube, elbow flush connections for back spud connection and fixture spud securing nut. Control stop has internal siphon-guard protection. Internal seals are made of chloramine resistant materials.

This space is for Architectural/engineering Approval

ZURN INDUSTRIES, INC. ♦ COMMERCIAL BRASS OPERATION ♦ 5900 ELWIN BUCHANAN DRIVE ♦ SANFORD NC 27330

Phone: 1-800-997-3876 ♦ Fax: 919-775-3541 ♦ World Wide Web: www.zurn.com

In Canada: ZURN INDUSTRIES LIMITED ♦ 3544 Nashua Drive ♦ Mississauga, Ontario L4V1L2 ♦ Phone: 905-405-8272 Fax: 905-405-1292