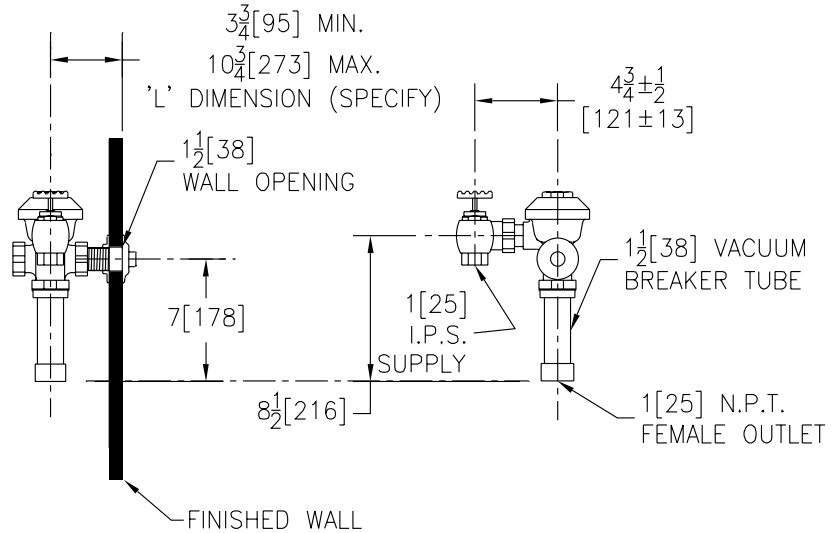




Concealed Z6150AV Model For Flushing Rim Floor Drain



Flow Options

- WS1** 1.6 Gal. Low Consumption Flush
- FF** 4.5 Gal. Full Flush
- Standard Flush** 3.5 Gallons Per Flush

Suffix Options (Check/Specify Appropriate Options)

- _____ **-BG** BioCare Handle
- _____ **-J** Metal Oscillating Handle
- _____ **-L3** 3" [76] Metal Push Button
- _____ Other

ENGINEERING SPECIFICATION: ZURN Z6150AV AquaVantage™ 'AV' Concealed Flush Valve For Flushing Rim Floor Drain – Concealed, quiet diaphragm-type, rough brass, flushometer valve with Zurn's AquaVantage TPE, chloramine resistant, dual seal diaphragm with a clog resistant, triple filtered bypass. The valve is complete with a non-hold open and no leak handle feature, high back pressure vacuum breaker, one piece hex coupling nut, adjustable tail-piece, spud coupling and flange for back spud connection. Control stop has internal siphon-guard protection, and a sweat solder kit. Internal seals are made of chloramine resistant materials.

This space is for Architectural/Engineering Approval

ZURN PLUMBING PRODUCTS GROUP COMMERCIAL BRASS OPERATION, 5900 ELWIN BUCHANAN DRIVE, SANFORD, NC 27330

PHONE: 1-800-997-3876, FAX: 919-775-3541, WEBSITE: www.zurn.com

IN CANADA: ZURN INDUSTRIES LIMITED 3544 NASHUA DRIVE, MISSISSAUGA, ONTARIO L4V1L2, PHONE: 905-405-8272, FAX: 905-405-1292