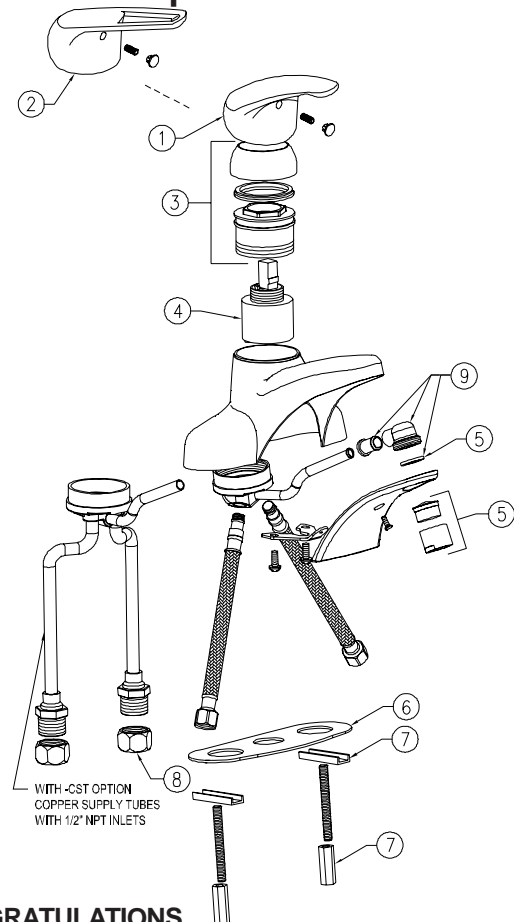


**❑ Installation ❑ Maintenance Instructions ❑ Replacement Kits**

SIERRAFAUCET PARTS				
ITEM	PART NO.	DESCRIPTION	QTY	
1	RK7440-LH	LEVER HANDLE	1	
	RK7440-LH-STN	LEVER HANDLE, SATIN NICKEL	1	
2	RK7440-LP	LOOP HANDLE	1	
	RK7440-LP-STN	LOOP HANDLE, SATIN NICKEL	1	
3	RK7440-3	RETAINING NUT ASSY.		
		RETAINING NUT	1	
		RETAINING GASKET	1	
	RK7440-3-STN	ESCUTCHEON	1	
		RETAINING NUT ASSY.		
		RETAINING NUT, SATIN NICKEL	1	
4	RK7440-CART	RETAINING GASKET	1	
		ESCUTCHEON	1	
		CARTRIDGE ASSEMBLY W/LIMIT STOP	1	
5	RK7440-94	AERATOR, STD 2.2 GPM		
		AERATOR	1	
		WASHER	1	
	RK7440-94-STN	AERATOR, SATIN NICKEL STD. 2.2 GPM	1	
		AERATOR	1	
		WASHER	1	
	RK7440-94SO	AERATOR SPRAY OUTLET 1.0 GPM		
		AERATOR	1	
		WASHER	1	
	7440-94LA	AERATOR, LAMINAR FLOW, 2.2 GPM		
		AERATOR	1	
		WASHER	1	
	7440-94VP/WK	AERATOR, VANDAL PROOF 2.2 GPM		
		AERATOR	1	
		WASHER	1	
		KEY	1	
		RK7440-94-VP1.5	AERATOR, VANDAL PROOF 1.5 GPM	
			AERATOR	1
WASHER	1			
7440-94FC/WK	KEY	1		
	AERATOR, FLOW CONTROL 0.5 GPM			
	AERATOR	1		
6	RK7440-90	WASHER	1	
		KEY	1	
		BASE PLATE	1	
7	RK7440-17	MOUNTING BRACKET ASSY.		
		BRACKET	2	
		HEX NUT	2	
8	RK7440-HK	INLET NUTS	2	
		SPOUT ASSY.		
9	RK7440-36W	SPOUT GASKET	1	
		WATERWAY SPOUT	1	
		AERATOR WASHER	1	



**CONGRATULATIONS**

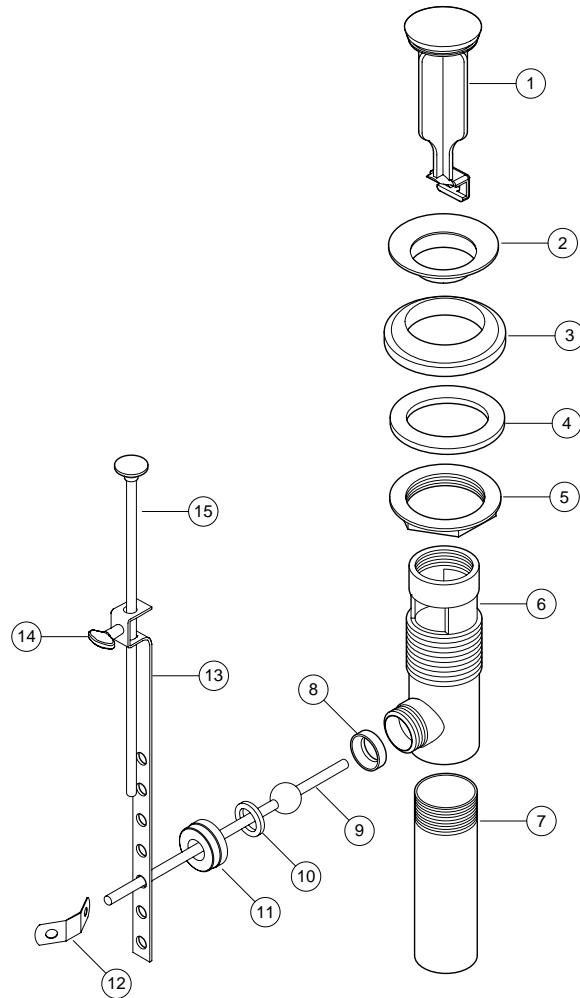
You have purchased a ZURN Quality Manufactured lavatory faucet that contains a "life of the system" ceramic cartridge. The Sierra faucet will provide you with years of trouble free service. If you should have any questions, please contact your local ZURN/TEMP-GARD representative or the factory at the address on the back of this sheet.

**INSTALLATION INSTRUCTIONS**

1. Shut off hot and cold water supplies.
2. Place faucet base plate on faucet and position on lavatory sink. **In some installations, a sealant may be required to make a water tight seal between the faucet base plate and the mounting surface. The installer should verify the compatibility of the selected sealant with the mounting surface manufacturer. Both plumber's putty and silicone sealants are compatible with Zurn faucets and fixtures. Consult the mounting surface manufacture for their recommendation of sealant.** From underneath the sink, position bracket on mounting studs and attach the hex nuts. Tighten hex nuts.
3. If faucet includes pop-up or grid drain, refer to next page for pop-up assembly installation.
4. Connect left inlet tube to hot water supply and right inlet tube to cold water supply. **CAUTION: Care should be taken not to kink tubes when connecting to water supplies.**

**\*ANY SIERRA FAUCETS INSTALLED PRIOR TO 3-1-05 SHOULD ADD -OS SUFFIX TO ALL REPAIR KIT PART NUMBERS  
CAUTION: DO NOT APPLY SOLDER OR BRAZE TO INLET TUBES. EXCESSIVE HEAT MAY DAMAGE COMPONENTS OF THE SIERRA FAUCET!**

METALLIC POP-UP	
ITEM	DESCRIPTION
1	STOPPER
2	FLANGE
3	HOUSING GASKET
4	FIBER GASKET
5	NUT
6	BODY
7	TAILPIECE
8	SEAT
9	ROD & BALL
10	GASKET
11	NUT
12	CLIP
13	STRAP
14	THUMB SCREW
15	LIFT ROD



## METAL POP-UP INSTALLATION

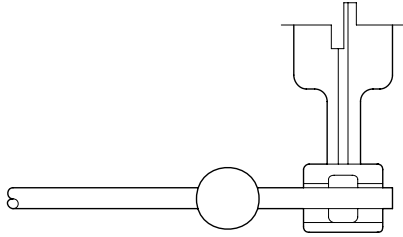
1. Remove the flange (2), then thread nut (5) and fiber gasket (4) down as far as possible. Place the housing gasket (3) on top of fiber gasket and nut.
2. Apply teflon tape to the threaded portion of tailpiece (7) and thread into body (6).
3. Apply putty to the underside of the flange (2). Push the pop-up assembly through the bottom of the lavatory sink. Screw the flange (2) onto the pop-up body (6).
4. Face the pivot hole towards the wall. Pull down on the pop-up assembly and tighten the nut (5), fiber gasket (4) and housing gasket (3). Do not let the pop-up assembly turn while tightening. Remove the excess plumbers putty from the flange.
5. Place gasket (10) into nut (11). Place nut (11) over rod and rod ball (9). Place seat (8) in rod ball hole. Tighten nut (11) hand tight. The pop-up stopper (1) can be installed two different ways: (A) removable and (B) non-removable. See stopper drawing "A" and "B" on opposite page. Position stopper into body (6).
6. Place clip (12) over a hole in the metal strap (13). Insert the horizontal rod (9) through both the hole in the strap (13) and clip (12). You can bend the strap for travel adjustment.
7. Place the lift rod (15) down through the hole in the faucet and then the strap (13). Set the desired height of push rod and tighten the thumb screw (14).



# INSTALLATION INSTRUCTIONS

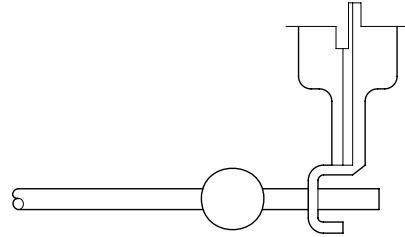
## Stopper Assembly

### (A) REMOVABLE STOPPER INSTALLATION



Install the complete pop-up assembly without the stopper. Drop the stopper in the pop-up so that the bottom ledge of the stopper rests on top of the pivot rod.

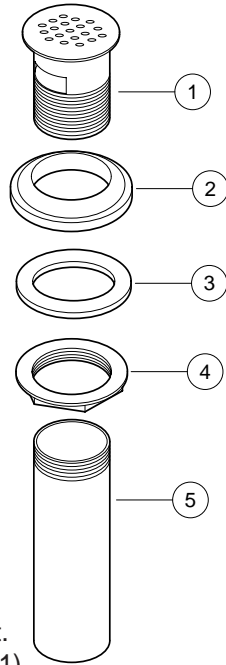
### (B) NON-REMOVABLE STOPPER INSTALLATION



Before installing the pivot rod and strap assembly, insert the stopper into the pop-up. Assemble pivot strap assembly to pop-up body so that the rod goes through the lower opening of the stopper.

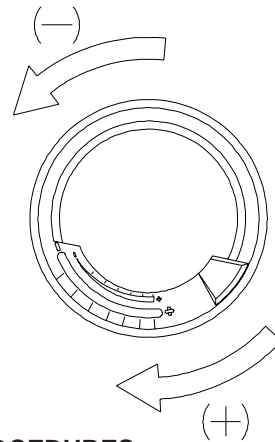
## Grid Drain

GRID DRAIN ASSEMBLY	
ITEM	DESCRIPTION
1	BODY
2	HOUSING GASKET
3	FLAT HOUSING GASKET
4	NUT
5	TAILPIECE



1. Apply putty underneath the flange of body (1).
2. Apply teflon tape to the tailpiece (5) and thread into body (1).
3. Place grid drain assembly down through lavatory sink.
4. Install housing gasket (2), flat gasket (3) and nut (4). Tighten nut.
5. Remove excess putty from flange (1).

## Temperature Limit Stop



### SETTING PROCEDURES

1. Remove handle.
2. Remove limit stop from cartridge.
3. Turn water on. Set to desired maximum temperature. Clockwise rotation of stop increases temperature and counterclockwise rotation of stop lowers temperature.
4. Re-install limit stop so that the lug on cartridge touches lug on stop.
5. Re-install handle.

## Testing Procedures

### Faucet Test and Adjustment

1. Remove aerator and open valve to mixed position.
2. Turn water on for 1 minute.
3. Check for leaks under the sink.
4. Shut off faucet and replace aerator.

**NOTE TO INSTALLER:** When using vandal proof aerator (-VP) or flow control (-FC), keep the installation key fixed under sink or in known location for future use. Keep installation instructions with faucet for future reference.



Problem	Solution
Faucet leaks from under faucet handle. All supplies are on.	Remove faucet handle. Tighten retaining cartridge nut. Do not over tighten. Tighten until nut is snug.
No water comes out of faucet spout. All supplies are on.	Aerator is clogged. Remove aerator. Remove debris and reinstall aerator.
Water deflects at an angle from the faucetspout.	Aerator has debris. Remove aerator. Remove debris and reinstall aerator.
Faucet leaks from inlet supplies	Aerator is loose. Water way may leak from aerator and appear under sink. Tighten aerator.

## CLEANING INSTRUCTIONS

Assuming proper care, your Zurn Sierra faucet will provide you with years of trouble free service. Care in cleaning is important. The finish can be damaged with the use of harsh abrasive cleaners or polishes. To clean the valve, gently wipe with damp cloth and blot dry with a soft towel.

## MAINTENANCE

Always use Zurn parts when performing routine maintenance. The use of non-Zurn parts will void your warranty. After any maintenance is performed on the valve, flush the system as noted in the Faucet Test and Adjustment section of the instructions.

## TEMP-GARD LIMITED WARRANTY

**LIMITED WARRANTY:** All goods sold hereunder are warranted to be free from defects in material and factory workmanship for a period of three (3) years from the date of purchase. We will replace at no cost goods that prove defective provided we are notified in writing of such defect and the goods are returned to Zurn Industries, Inc. prepaid at Falconer, New York, with evidence that they have been properly maintained and used in accordance with instructions. **We shall not be responsible for any labor charges or any loss, injury, or damages whatsoever, including incidental or consequential damages.** The sole and exclusive remedy shall be limited to the replacement of the defective goods. Before installation and use, the purchaser shall determine the suitability of the product for his intended use and the purchaser assumes all risk and liability whatever in connection therewith. Where permitted by law, **the implied warranty of merchantability is expressly excluded.** If the products sold hereunder are "consumer products," **the implied warranty of merchantability is limited to a period of three (3) years and shall be limited solely to the replacement of the defective goods.** All weights stated in our catalogs and lists are approximate and are not guaranteed.

ZURN INDUSTRIES, LLC. ♦ COMMERCIAL BRASS OPERATION ♦ 5900 ELWIN BUCHANAN DRIVE ♦ SANFORD NC 27330  
 Phone: 1-800-997-3876 ♦ Fax: 919-775-3541 ♦ World Wide Web: [www.zurn.com](http://www.zurn.com)  
 In Canada: ZURN INDUSTRIES LIMITED ♦ 3544 Nashua Drive ♦ Mississauga, Ontario L4V1L2 ♦ Phone: 905-405-8272 Fax: 905-405-1292