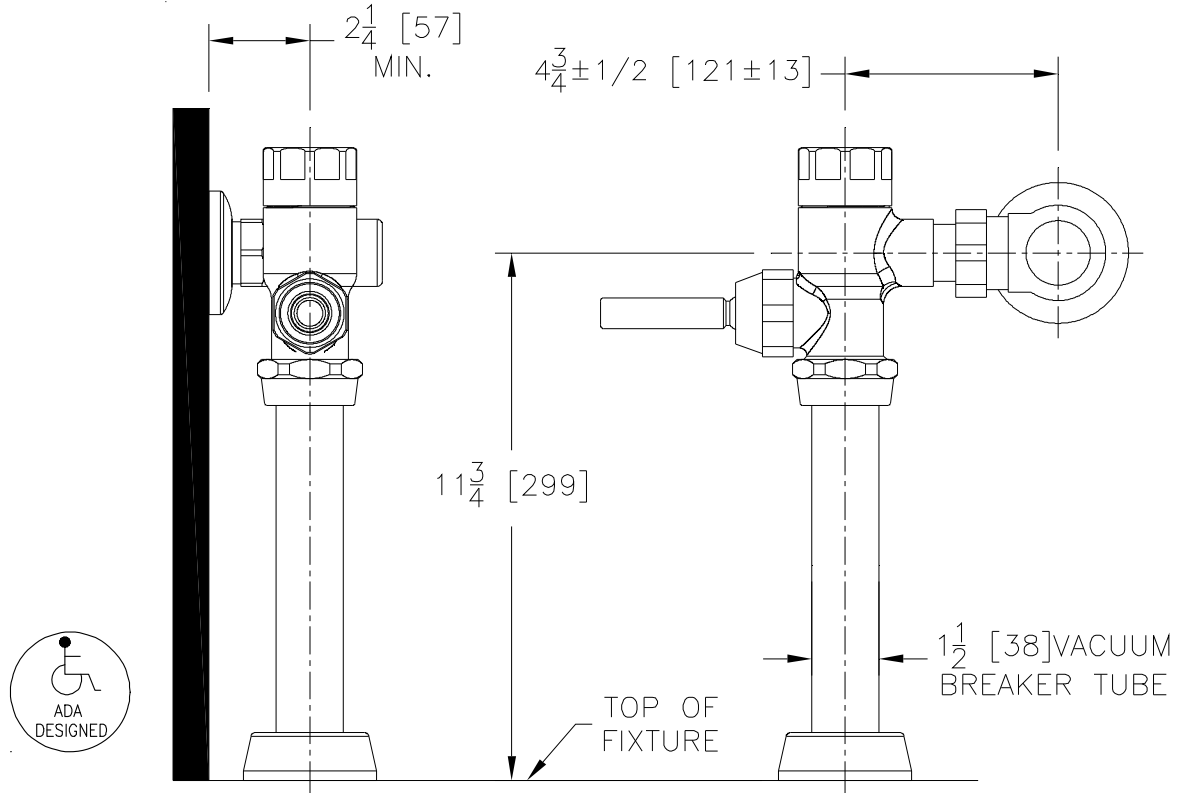




# Exposed Z6200PEV Model For Water Closets



### Flow Options

- Standard Flush 1.28 Gallons Per Flush

### Suffix Options (Check/Specify Appropriate Options)

- \_\_\_\_\_ -BG BioCare Handle
- \_\_\_\_\_ -YJ Split Ring Pipe Support
- \_\_\_\_\_ -YK Solid Ring Pipe Support
- \_\_\_\_\_ -YO Bumper on Angle Stop
- \_\_\_\_\_ Other

Performance guaranteed with Zurn EcoVantage fixtures. Please consult Zurn Technical Services at 1-800-997-3876 to discuss the paired performance of this valve with other manufacturers fixtures.

**ENGINEERING SPECIFICATION: ZURN Z6200PEV EcoVantage® Exposed Closet Flush Valve** - The EcoVantage valve is an exposed, quiet piston type, chrome plated flushometer valve with a polished exterior for 1.28 GPF closet fixtures. Standard features included are ADA compliant non-hold open and no leak handle feature, self cleaning piston by-pass for clog free operations, chloramine resistant gaskets and seals, a high back pressure vacuum breaker, one piece hex coupling nut, adjustable tailpiece, sweat solder adaptor kit, spud coupling and flange for top spud connection. The control stop has a vandal resistant cover and incorporates siphon guard protection.

This space is for Architectural/engineering Approval