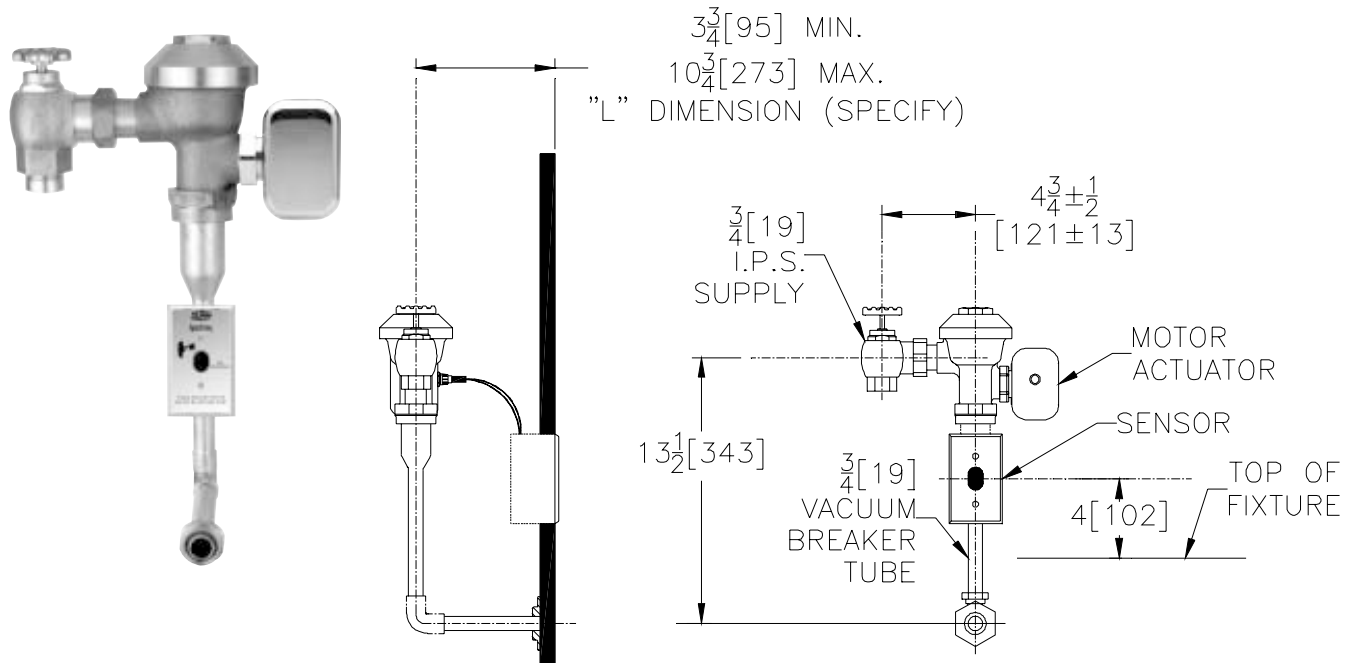




## Concealed ZEMS6195AV Model Hardwired Automatic Sensor Flush Valve For 3/4" Urinals



### Flow Options

- WS1** 1.0 Gal. Low Consumption
- Standard Flush** 1.5 Gallons Per Flush

### Suffix Options (Check/Specify Appropriate Options)

- \_\_\_\_\_ **-BB** Battery Back-up
- \_\_\_\_\_ **-HW6** 120VAC/6VDC Hardwired Power Converter
- \_\_\_\_\_ **-MJ** Mini Junction Box
- \_\_\_\_\_ **-PC6** 120VAC/6VDC Plug-In Power Converter
- \_\_\_\_\_ Other

This space is for Architectural/engineering Approval

### ENGINEERING SPECIFICATION: ZURN ZEMS6195AV AquaSense 'AV' Concealed Hardwired Automatic Sensor Flush Valve For 3/4"[19] Urinals-

Concealed, quiet diaphragm-type, rough brass, flushometer valve with Zurn's AquaVantage TPE, chloramine resistant, dual seal diaphragm with a clog resistant triple filtered by-pass. The valve incorporates a 6 VDC motorized actuator, an automatic sensor, high back pressure vacuum breaker, one piece hex coupling nut and adjustable tailpiece, spud coupling and flange for back spud connection. Switchable sensor features include: courtesy flush, automatic 24 hour flush, and diagnostic indicator lights. Control stop has internal siphon-guard protection, and a sweat solder kit. Internal seals are made of chloramine resistant materials. Electrical box by others (see installation instructions for type and style). Note: Order power converter separate, one power converter operates up to eight valves.

**NOTE: MUST USE EITHER ZURN P6000-HW6 HARDWIRE POWER CONVERTER OR ZURN P6000-PC6 PLUG-IN POWER CONVERTER TO ENSURE PROPER OPERATION. USING A POWER CONVERTER OTHER THAN ZURN MAY RESULT IN OPERATION MALFUNCTION OR UNIT FAILURE.**

ZURN INDUSTRIES, INC. ♦ COMMERCIAL BRASS OPERATION ♦ 5900 ELWIN BUCHANAN DRIVE ♦ SANFORD NC 27330

Phone: 1-800-997-3876 ♦ Fax: 919-775-3541 ♦ World Wide Web: www.zurn.com

In Canada: ZURN INDUSTRIES LIMITED ♦ 3544 Nashua Drive ♦ Mississauga, Ontario L4V1L2 ♦ Phone: 905-405-8272 Fax: 905-405-1292