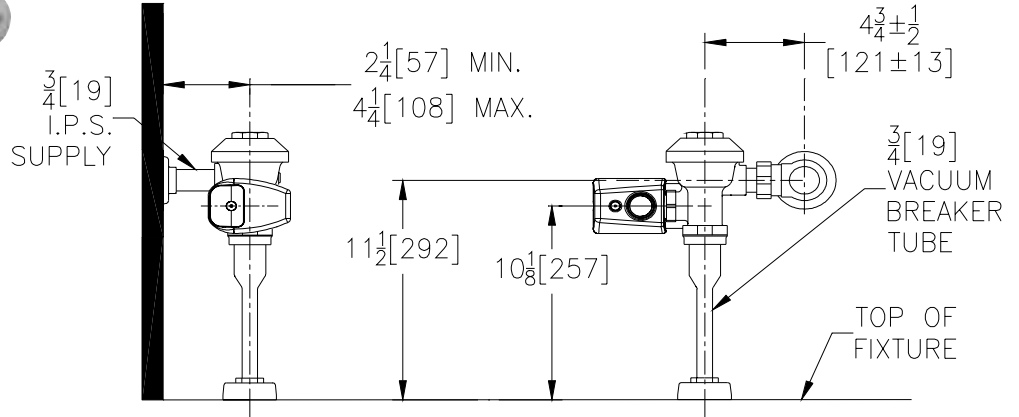




Exposed ZER6003AV-CP Model Sensor Operated Battery Powered Flush Valve For 3/4" Urinals



Flow Options

- WS1 1.0 Gal. Low Consumption
- Standard Flush 1.5 Gal. Full Flush

Suffix Options (Check/Specify Appropriate Options)

- _____ -YJ Split Ring Pipe Support
- _____ -YK Solid Ring Pipe Support
- _____ Other

ENGINEERING SPECIFICATION: ZURN ZER6003AV-CP AquaSense 'AV' Exposed Urinal Flush Valve - Exposed, quiet diaphragm-type, chrome plated, flushometer with a polished exterior. Complete with Zurn's AquaVantage TPE, chloramine resistant, dual seal diaphragm with a clog resistant, triple filtered by-pass. The valve incorporates a 6VDC motor actuator, a battery powered automatic sensor, high impact resistant polycarbonate housing and chrome plated ABS cover with manual override push button, high back pressure vacuum breaker, one piece hex coupling nut, adjustable tailpiece, spud coupling and flange for top spud connection. Control stop has internal siphon-guard protection, vandal resistant stop cap, sweat solder kit, and a cast wall flange with set screw. Internal seals are made of chloramine resistant materials.

This space is for Architectural/engineering Approval