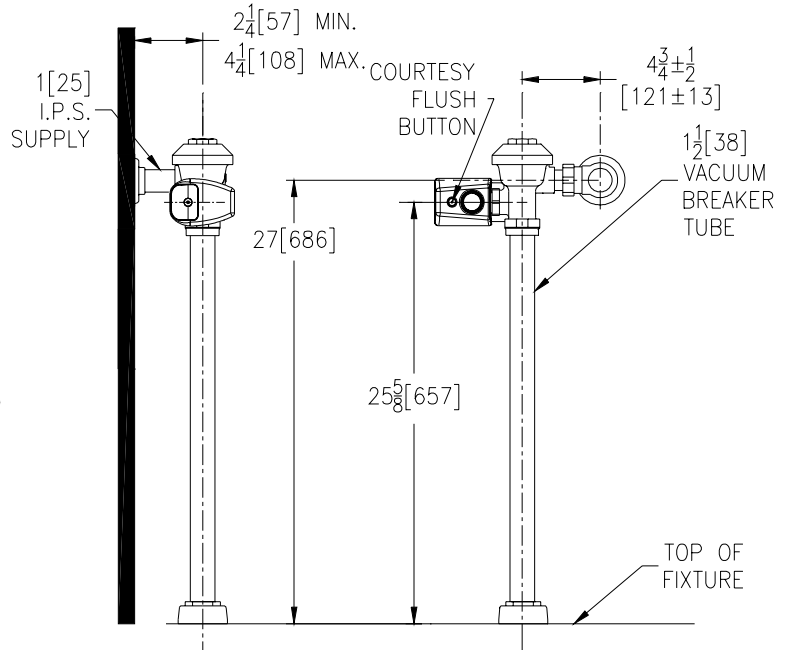




Exposed ZER6000AV-3-CPM Model Sensor Operated Battery Powered Flush Valve For Water Closets



Flow Options

- | | |
|---|--------------------------|
| <input type="checkbox"/> -WS1 | 1.6 Gal. Low Consumption |
| <input type="checkbox"/> -FF | 4.5 Gal. Full Flush |
| <input type="checkbox"/> Standard Flush | 3.5 Gallons Per Flush |

Suffix Options (Check/Specify Appropriate Options)

- | | |
|-----------|-------------------------|
| _____ -YH | One Wall Bumper |
| _____ -YJ | Split Ring Pipe Support |
| _____ -YK | Solid Ring Pipe Support |
| _____ -YO | Bumper On Angle Stop |
| _____ | Other |

ENGINEERING SPECIFICATION: ZURN ZER6000AV-3-CPM AquaSense 'AV' Exposed Closet Flush Valve -Exposed, quiet diaphragm-type, chrome plated flushometer valve with a polished exterior. Complete with Zurn's AquaVantage TPE, chloramine resistant, dual seal diaphragm with a clog resistant, triple filtered by-pass. The valve incorporates a 6VDC motor actuator, a battery powered automatic sensor, high impact resistant polycarbonate housing and chrome plated metal cover with manual override push button and 10 degree angled sensor, high mount adapter kit, high back pressure vacuum breaker, one piece hex coupling nut, adjustable tailpiece, spud coupling and flange for top spud connection. Control stop has internal siphon-guard protection, vandal resistant stop cap, sweat solder kit, and a cast wall flange with set screw. Internal seals are made of chloramine resistant materials.

This space is for Architectural/engineering Approval