



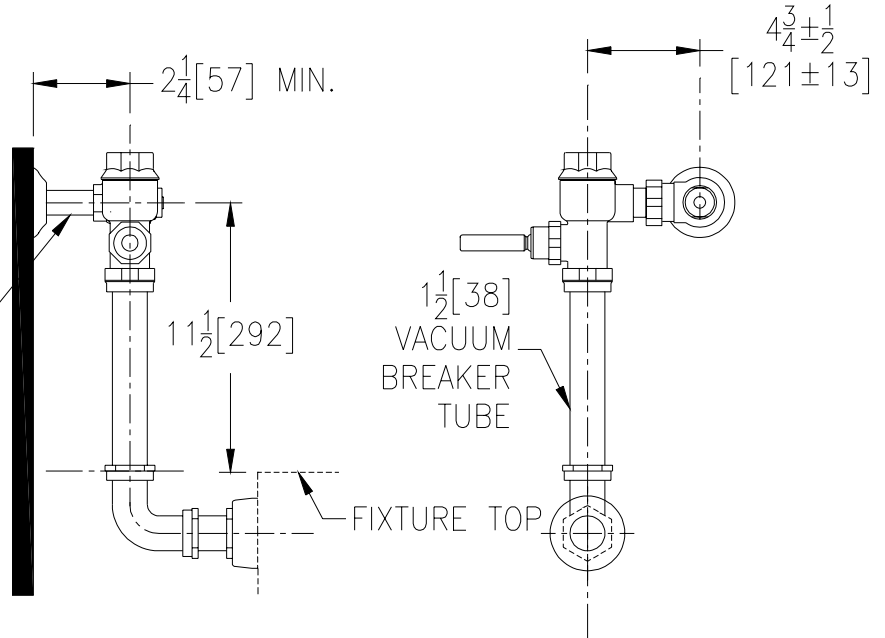
Metroflush™

TAG _____

Exposed Z6210 Model Metroflush Piston Operated Flush Valve For Water Closets



1 [25] I.P.S.
SUPPLY



Flow Options

- WS1** 1.6 Gal. Low Consumption Flush
- Standard Flush** 3.5 Gallons Per Flush

Suffix Options (Check/Specify Appropriate Options)

- _____ **-L** 1" [25] Metal Push Button
- _____ **-L3** 3" [76] Metal Push Button
- _____ **-VC** Vandal Resistant Stop Cover
- _____ **-XYV** Less Vacuum Breaker
- _____ **-YB** Sweat Solder Kit
- _____ **-YC** Cast Wall Flange
- _____ **-YJ** Split Ring Pipe Support
- _____ **-YK** Solid Ring Pipe Support
- _____ **-YL** Solid Ring Pipe Support with Bumper
- _____ **-YN** Bumper On Flush Pipe
- _____ **-YO** Bumper On Angle Stop
- _____ Other

ENGINEERING SPECIFICATION: ZURN Z6210 Metroflush Piston Operated Exposed Closet Flush Valve-

The Metroflush is an exposed, quiet piston type, chrome plated flushometer valve with polished exterior. Complete with Zurn MetroVantage chloramine resistant piston with a clog resistant filtered by-pass. The valve is ADA compliant with a non-hold open and no-leak handle feature, high back pressure vacuum breaker, one piece hex coupling nut, adjustable tailpiece, spud coupling and flange for back spud connection. Control stop has internal siphon-guard protection. Internal seals are made of chloramine resistant materials.

This space is for Architectural/engineering Approval

ZURN INDUSTRIES, INC. ♦ COMMERCIAL BRASS OPERATION ♦ 5900 ELWIN BUCHANAN DRIVE ♦ SANFORD NC 27330

Phone: 1-800-997-3876 ♦ Fax: 919-775-3541 ♦ World Wide Web: www.zurn.com

In Canada: ZURN INDUSTRIES LIMITED ♦ 3544 Nashua Drive ♦ Mississauga, Ontario L4V1L2 ♦ Phone: 905-405-8272 Fax: 905-405-1292