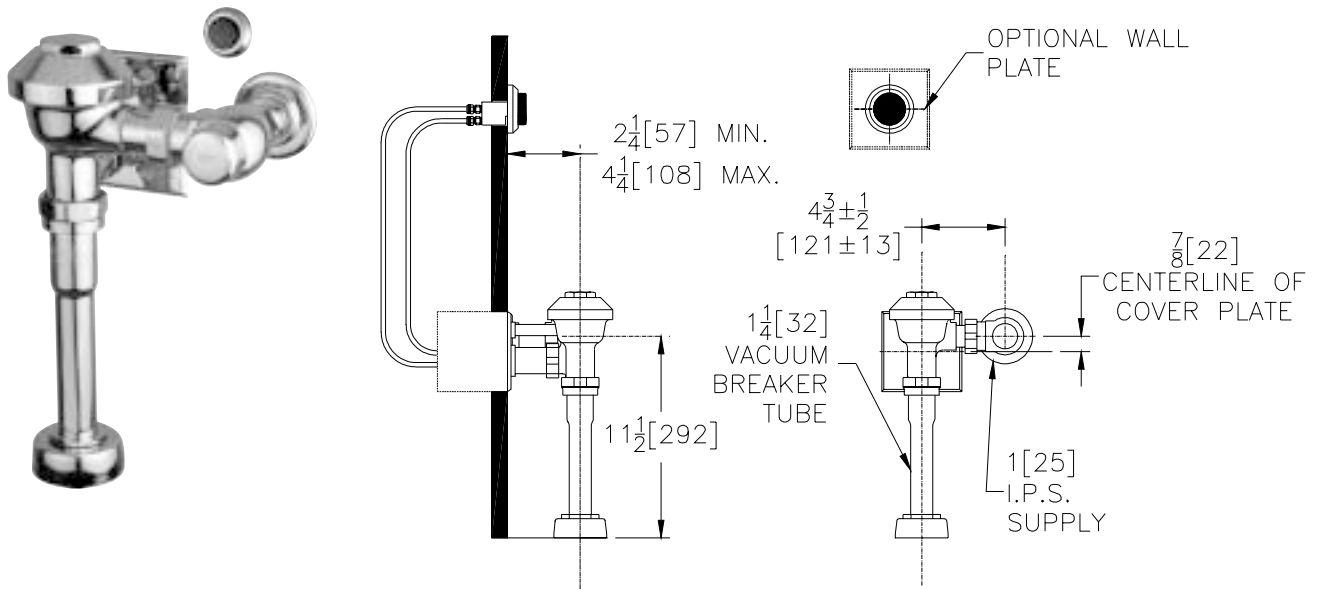




Exposed ZH6001AV Model With Hydraulic Actuation For 1-1/4" Urinal Valves



Flow Options

- | | | |
|--------------------------|-----------------------|--------------------------------|
| <input type="checkbox"/> | -WS1 | 1.0 Gal. Low Consumption Flush |
| <input type="checkbox"/> | -WS | 1.5 Gal. Water Saver |
| <input type="checkbox"/> | Standard Flush | 3.0 Gallons Per Flush |

Suffix Options (Check/Specify Appropriate Options)

- | | | |
|-------|------------|---|
| _____ | -MB | 1"[25] Metal push button Hydraulic Actuator |
| _____ | -SW | Side Wall Mounted Hydraulic Actuator |
| _____ | -WP | Wall Plate for Push Button (ZP-50) |
| _____ | -YJ | Split Ring Pipe Support |
| _____ | -YK | Solid Ring Pipe Support |
| _____ | | Other |

ENGINEERING SPECIFICATION: ZURN ZH6001AV AquaVantage® 'AV' Exposed Urinal Flush Valve with Hydraulic Actuation-

Exposed, quiet diaphragm-type, chrome plated, flushometer valve with a polished exterior and Zurn's AquaVantage® TPE, chloramine resistant, dual seal diaphragm with a clog resistant, triple filtered by-pass. The valve is complete with a non-hold open type hydraulic push button actuator that may be located up to 36"[914] (7"[2133] with -SW option) from the valve, high back pressure vacuum breaker, one piece hex coupling nut, adjustable tailpiece, spud coupling and flange for top spud connection. Control stop has internal siphon-guard protection, vandal resistant stop cap, sweat solder kit, and a cast wall flange with set screw. Internal seals are made of chloramine resistant materials. Electrical box supplied by others. (see installation instructions for size and type)

This space is for Architectural/engineering Approval