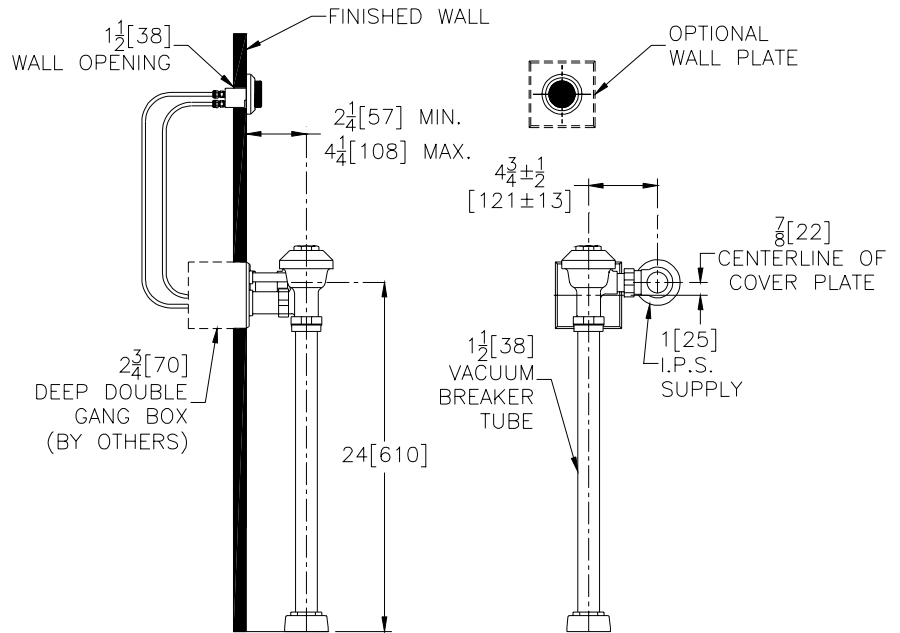




Exposed ZH6017AV Model With Hydraulic Actuator For Water Closets



Flow Options

- Standard Flush 6.5 Gallons Per Flush

Suffix Options (Check/Specify Appropriate Options)

_____	-MB	1" [25] Metal push button Hydraulic Actuator
_____	-SW	Side Wall Mounted Hydraulic Actuator
_____	-WP	Wall Plate for Push Button (ZP-50)
_____	-YJ	Split Ring Pipe Support
_____	-YK	Solid Ring Pipe Support
_____		Other

ENGINEERING SPECIFICATION: ZURN ZH6017AV AquaVantage® 'AV' Exposed Closet Flush Valve with Hydraulic Actuation- Exposed, quiet diaphragm-type, chrome plated, flushometer valve with a polished exterior and Zurn's AquaVantage® TPE, chloramine resistant, dual seal diaphragm with a clog resistant, triple filtered by-pass. The valve is complete with a non-hold open type hydraulic push button actuator that may be located up to 36" [914] (7' [2133] with -SW option) from the valve, high back pressure vacuum breaker, one piece hex coupling nut, adjustable tailpiece, spud coupling and flange for top spud connection. Control stop has internal siphon-guard protection, vandal resistant stop cap, sweat solder kit, and a cast wall flange with set screw. Internal seals are made of chloramine resistant materials. Electrical box supplied by others. (see installation instructions for size and type)

This space is for Architectural/engineering Approval