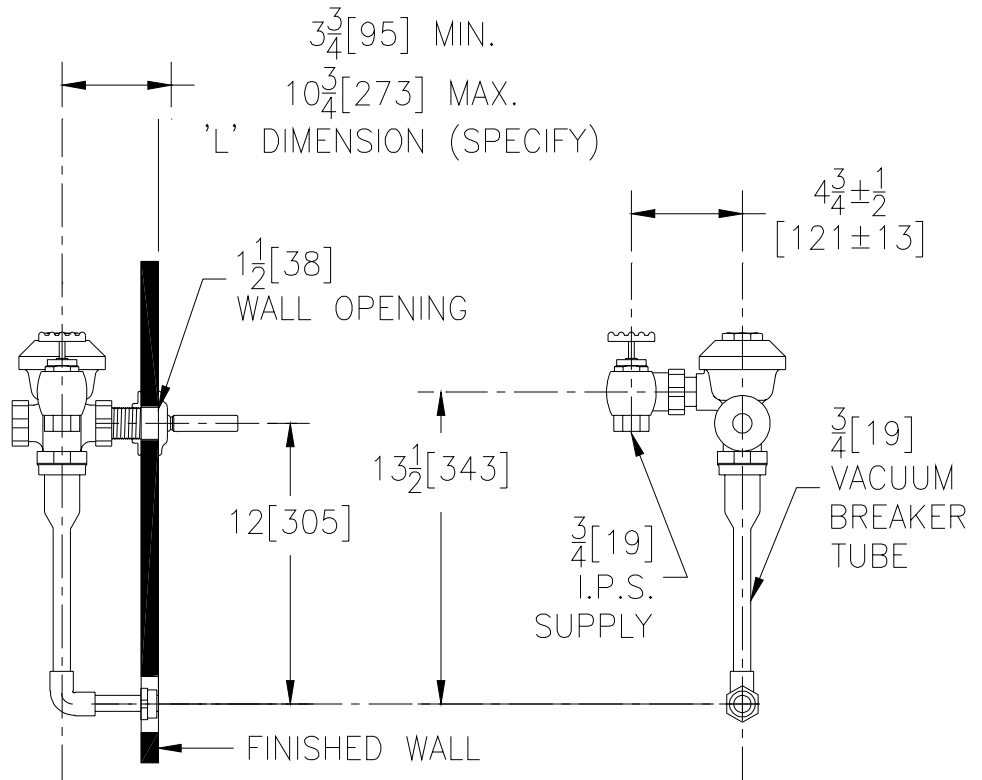




## Concealed Z6195AV Model For 3/4" Urinals



### Flow Options

- WS1** 1.0 Gal. Low Consumption  
 **Standard Flush** 1.5 Gallons Per Flush

### Suffix Options (Check/Specify Appropriate Options)

- \_\_\_\_\_ **-BG** BioCare ADA Handle  
 \_\_\_\_\_ **-L** 1" [25] Metal Push Button  
 \_\_\_\_\_ **-L3** 3" [76] Metal Push Button  
 \_\_\_\_\_ Other

### ENGINEERING SPECIFICATION: ZURN Z6195AV

**AquaVantage® 'AV' Concealed Urinal Flush Valve** - Concealed, quiet diaphragm-type rough brass flushometer valve with Zurn's AquaVantage® TPE, chloramine resistant, dual seal diaphragm with a clog resistant, triple filtered by-pass. The valve is complete with a non-hold open and no leak handle feature, high back pressure vacuum breaker, one piece hex coupling nut, adjustable tailpiece and spud coupling for back spud connection. Control stop has internal siphon-guard protection, and a sweat solder kit. Internal seals are made of chloramine resistant materials.

This space is for Architectural/engineering Approval