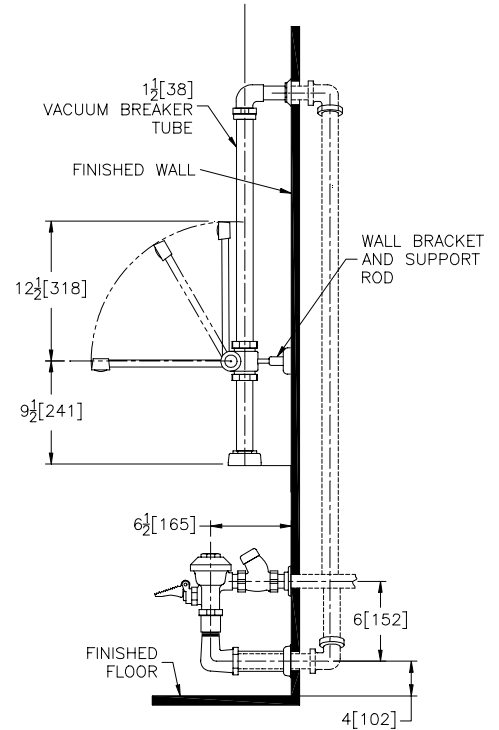
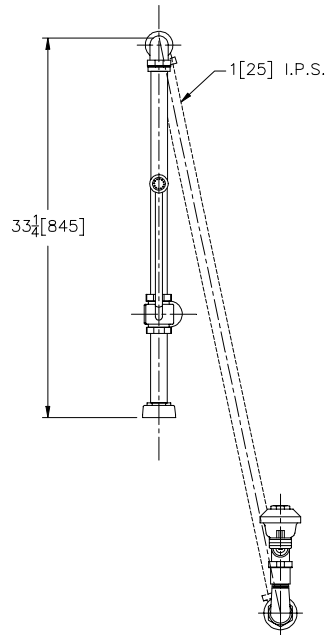




## Exposed Z6040AV-BWN Model Bedpan Washer with Foot Pedal Actuation for Water Closets



### Flow Options

- |   |                          |
|---|--------------------------|
| <input type="checkbox"/> -WS1           | 1.6 Gal. Low Consumption |
| <input type="checkbox"/> -FF            | 4.5 Gal. Full Flush      |
| <input type="checkbox"/> Standard Flush | 3.5 Gallons Per Flush    |

### Suffix Options (Check/Specify Appropriate Options)

- |           |                         |
|-----------|-------------------------|
| _____ -YH | One Wall Bumper         |
| _____ -YJ | Split Ring Pipe Support |
| _____ -YK | Solid Ring Pipe Support |
| _____     | Other                   |

**ENGINEERING SPECIFICATION:** ZURN Z6040AV-BWN AquaVantage® 'AV' Exposed Closet Flush Valve with Bedpan Washer and Foot Pedal Actuation- Exposed, quiet diaphragm-type, chrome plated, flushometer valve with a polished exterior. Complete with Zurn's AquaVantage® TPE, chloramine resistant, dual seal diaphragm with a clog resistant, triple filtered by-pass. Valve is complete with a non-hold open and no leak foot pedal actuation feature, bedpan washer assembly, wall bracket and support rod, high back pressure vacuum breaker, one piece hex coupling nut, adjustable tailpiece, spud coupling and flange. Control stop has internal siphon-guard protection, vandal resistant stop cap, sweat solder kit, and a cast wall flange with set screw. Internal seals are made of chloramine resistant materials.

This space is for Architectural/engineering Approval