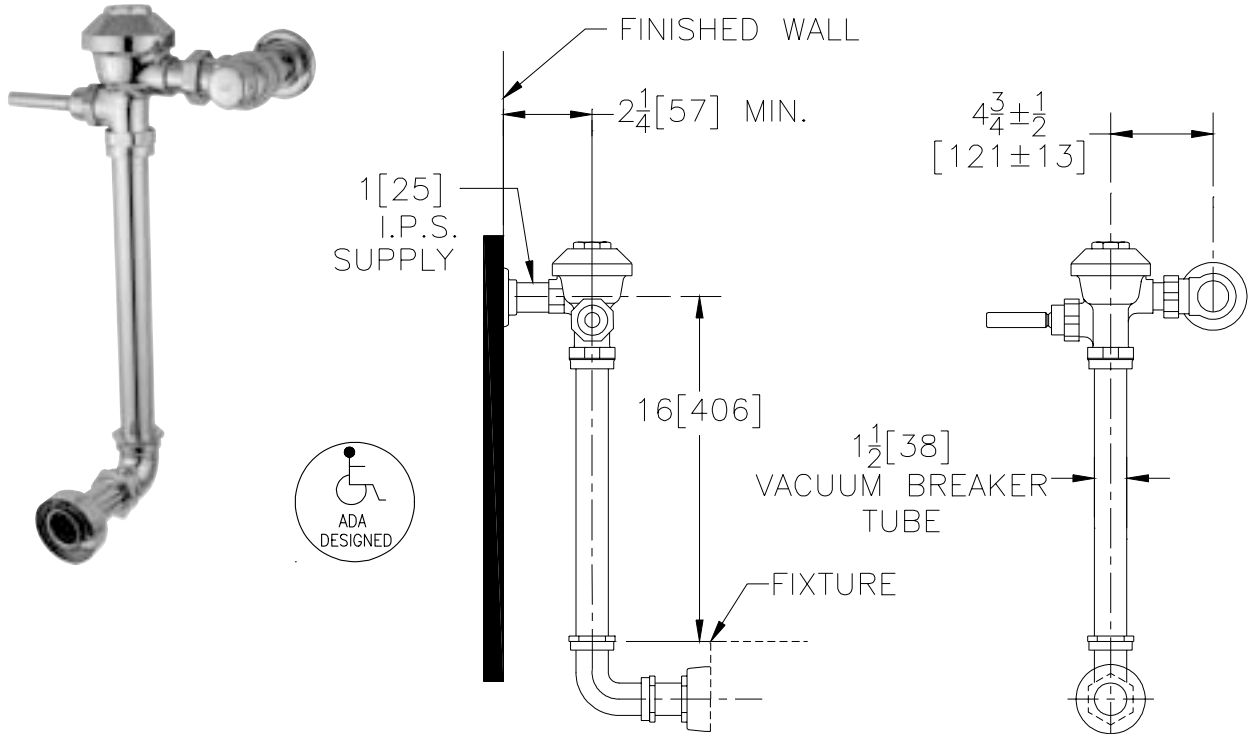




Exposed Z6010AV-1 Model For Back Spud Water Closets



Flow Options

- | | |
|--|--------------------------|
| <input type="checkbox"/> -WS1 | 1.6 Gal. Low Consumption |
| <input type="checkbox"/> -FF | 4.5 Gal. Full Flush |
| <input type="checkbox"/> Standard Flush | 3.5 Gallons Per Flush |

Suffix Options (Check/Specify Appropriate Options)

- | | |
|------------------|-------------------------------------|
| _____ -BG | BioCareHandle |
| _____ -H | Handle on Front of Flush Valve |
| _____ -L | 1" [25] Metal Push Button |
| _____ -L3 | 3" [76] Metal Push Button |
| _____ -YJ | Split Ring Pipe Support |
| _____ -YK | Solid Ring Pipe Support |
| _____ -YL | Solid Ring Pipe Support with Bumper |
| _____ -YO | Bumper on Angle Stop |
| _____ | Other |

ENGINEERING SPECIFICATION: ZURN Z6010AV-1

AquaVantage® 'AV' Exposed Closet Flush Valve - Exposed, quiet diaphragm-type, chrome plated flushometer valve with a polished exterior. Complete with Zurn's AquaVantage® TPE, chloramine resistant, dual seal diaphragm with a clog resistant, triple filtered by-pass. The valve is ADA compliant with a non-hold open and no leak handle feature, high back pressure vacuum breaker, one piece hex coupling nut, adjustable tailpiece, spud coupling and flange for back spud connection. Control stop has internal siphon-guard protection, vandal resistant stop cap, sweat solder kit, and a cast wall flange with set screw. Internal seals are made of chloramine resistant materials.

This space is for Architectural/engineering Approval