



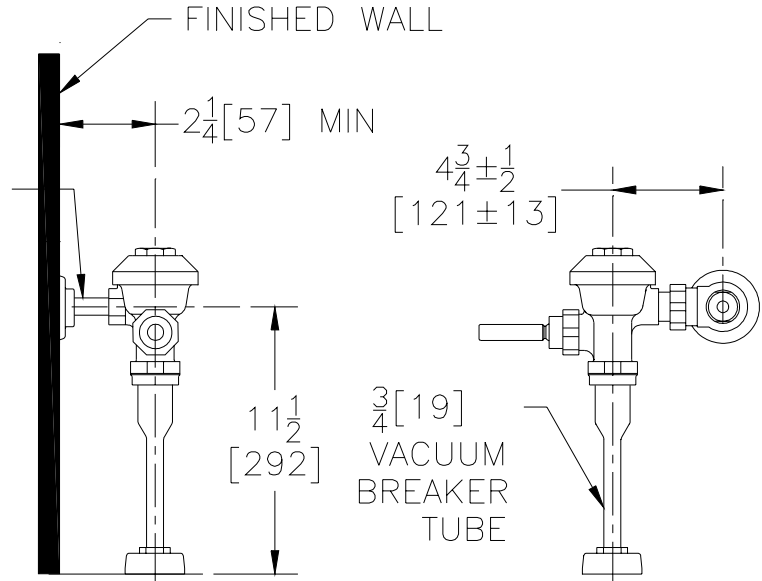
Aquaflush®

TAG \_\_\_\_\_

## Exposed Z6003 Model for 3/4" Urinals



$\frac{3}{4}$  [19]  
I.P.S.  
SUPPLY



### Flow Options

- |   |                          |
|---|--------------------------|
| <input type="checkbox"/> -EWS           | 0.5 Gallons Per Flush    |
| <input type="checkbox"/> -WS1           | 1.0 Gal. Low Consumption |
| <input type="checkbox"/> Standard Flush | 1.5 Gallons Per Flush    |

### Suffix Options (Check/Specify Appropriate Options)

- |           |                                |
|-----------|--------------------------------|
| _____ -BG | BioCare ADA Handle             |
| _____ -H  | Handle on Front of Flush Valve |
| _____ -L  | 1" [25] Metal Push Button      |
| _____ -L3 | 3" [76] Metal Push Button      |
| _____ -VC | Vandal Resistant Stop Cover    |
| _____ -YB | Sweat Solder Kit               |
| _____ -YC | Cast Wall Flange               |
| _____ -YJ | Split Ring Pipe Support        |
| _____ -YK | Solid Ring Pipe Support        |
| _____     | Other                          |

**ENGINEERING SPECIFICATION: ZURN Z6003 Aquaflush Exposed Urinal Flush Valve** - Exposed, quiet diaphragm-type, chrome plated flushometer valve with a polished exterior. Complete with a chloramine resistant, dual seal diaphragm with a clog resistant by-pass. The valve is ADA compliant with a non-hold open and no leak handle feature, high back pressure vacuum breaker, one piece hex coupling nut, adjustable tailpiece, spud coupling and flange for top spud connection. Control stop has internal siphon-guard protection. Internal seals are made of chloramine resistant materials.

- Z6003PL - Aquaflush Plus** is furnished as specified above and includes sweat solder kit, vandal resistant stop cap, and cast wall flange. **Complete with a chloramine resistant, dual seal diaphragm with a clog resistant by-pass.**

This space is for Architectural/engineering Approval

ZURN INDUSTRIES, INC. ♦ COMMERCIAL BRASS OPERATION ♦ 5900 ELWIN BUCHANAN DRIVE ♦ SANFORD NC 27330

Phone: 1-800-997-3876 ♦ Fax: 919-775-3541 ♦ World Wide Web: www.zurn.com

In Canada: ZURN INDUSTRIES LIMITED ♦ 3544 Nashua Drive ♦ Mississauga, Ontario L4V1L2 ♦ Phone: 905-405-8272 Fax: 905-405-1292