



AquaSense®

TAG _____

AquaSense Sensor Faucet



Suffix Options (Check/Specify Appropriate Options)

- _____ -ADM Above Deck Mixer
- _____ -CP4 Cover Plate 4[102] Centers
- _____ -CP8 Cover Plate 8[203] Centers
- _____ -EB External 9 Volt Battery Pack
- _____ -MT Mixing Tee
- _____ -MV Temperature Mixing Valve
- _____ -SH Supply Hoses for Mixing Valve
- _____ -TMV Thermostatic Mixing Valve for Multiple Faucets
- _____ -TMV-1 Thermostatic Mixing Valve for Single Faucets
- _____ Other

Z6918 AquaSense DC Battery Powered Faucet

ENGINEERING SPECIFICATION: The Z6918 sensor faucet is a battery powered sensor faucet for retrofit and new construction. The faucet incorporates an infrared convergence-type proximity sensor into the chrome plated cast brass spout. The faucet is furnished complete with all electronics and sensor mounted within the spout (above deck), in-line filter, 9 volt alkaline battery, a 1.5 GPM aerator and a stainless steel braided supply hose. Sensor range is factory set for optimum performance but can be adjusted in the field to suit specific applications.

Z6918E AquaSense AC Electronic Faucet

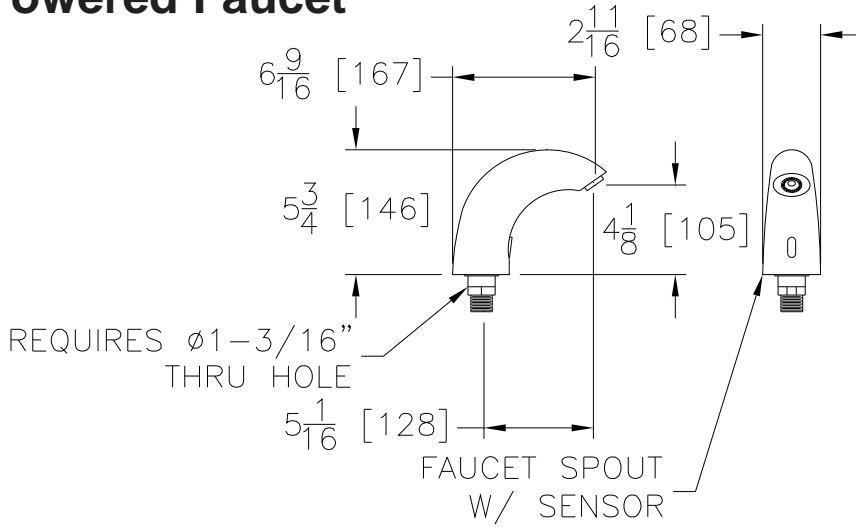
ENGINEERING SPECIFICATION: The Z6918E sensor faucet is a electronic sensor faucet powered by an AC/DC power converter for retrofit and new construction. The faucet incorporates an infrared convergence-type proximity sensor into the chrome plated cast brass spout. The faucet is furnished complete with all electronics and sensor mounted within the spout (above deck), in-line filter, a 1.5 GPM aerator, 9 VDC power converter and a stainless steel braided hose supply. Sensor range is factory set for optimum performance but can be adjusted in the field to suit specific applications.

ZURN INDUSTRIES, LLC. ♦ COMMERCIAL BRASS OPERATION ♦ 5900 ELWIN BUCHANAN DRIVE ♦ SANFORD NC 27330

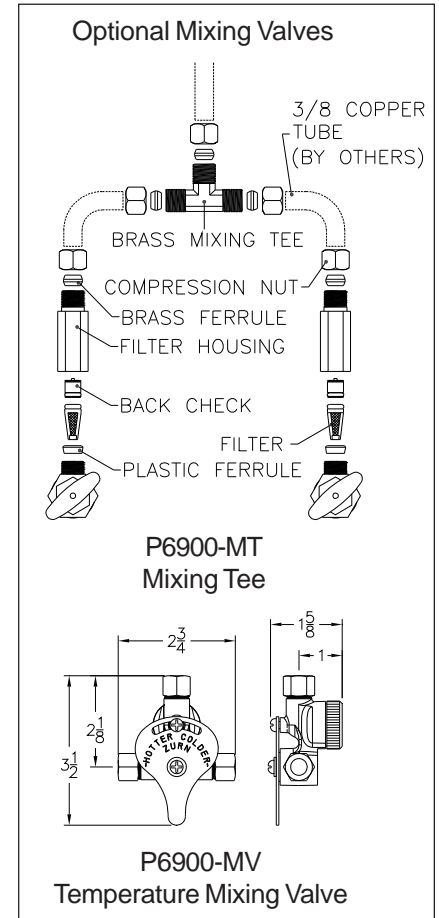
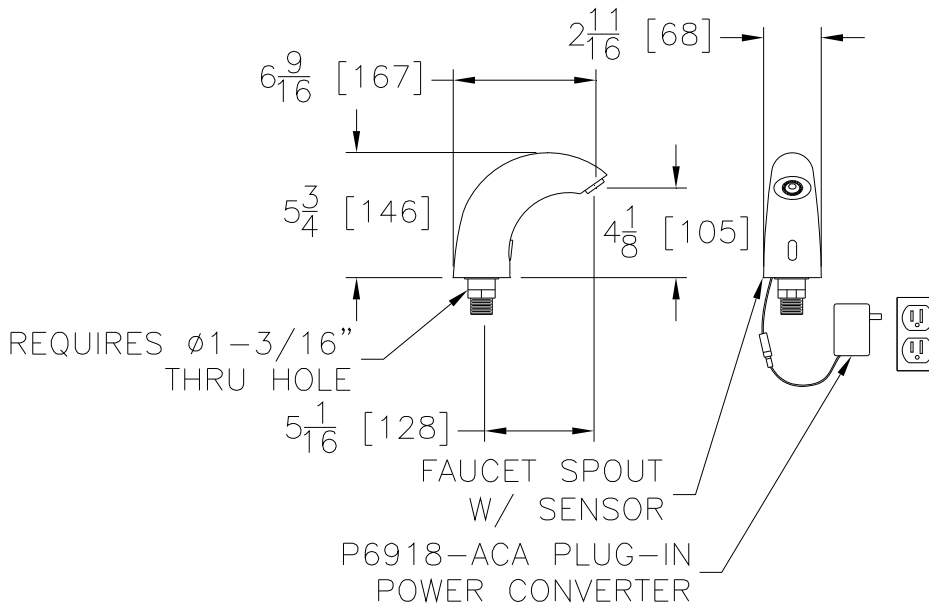
Phone: 1-800-997-3876 ♦ Fax: 919-775-3541 ♦ World Wide Web: www.zurn.com

In Canada: ZURN INDUSTRIES LIMITED ♦ 3544 Nashua Drive ♦ Mississauga, Ontario L4V1L2 ♦ Phone: 905-405-8272 Fax: 905-405-1292

TYPICAL Z6918 AquaSense Battery Powered Faucet



TYPICAL Z6918E-ACA AquaSense Plug-In Powered Faucet



NOTE: MUST USE ZURN P6918-ACA PLUG-IN POWER CONVERTER TO ENSURE PROPER OPERATION. USING A POWER CONVERTER OTHER THAN ZURN MAY RESULT IN OPERATION MALFUNCTION OR UNIT FAILURE.

ZURN INDUSTRIES, LLC. ♦ COMMERCIAL BRASS OPERATION ♦ 5900 ELWIN BUCHANAN DRIVE ♦ SANFORD NC 27330
 Phone: 1-800-997-3876 ♦ Fax: 919-775-3541 ♦ World Wide Web: www.zurn.com
 In Canada: ZURN INDUSTRIES LIMITED ♦ 3544 Nashua Drive ♦ Mississauga, Ontario L4V1L2 ♦ Phone: 905-405-8272 Fax: 905-405-1292