



# SINGLE BASIN METERING

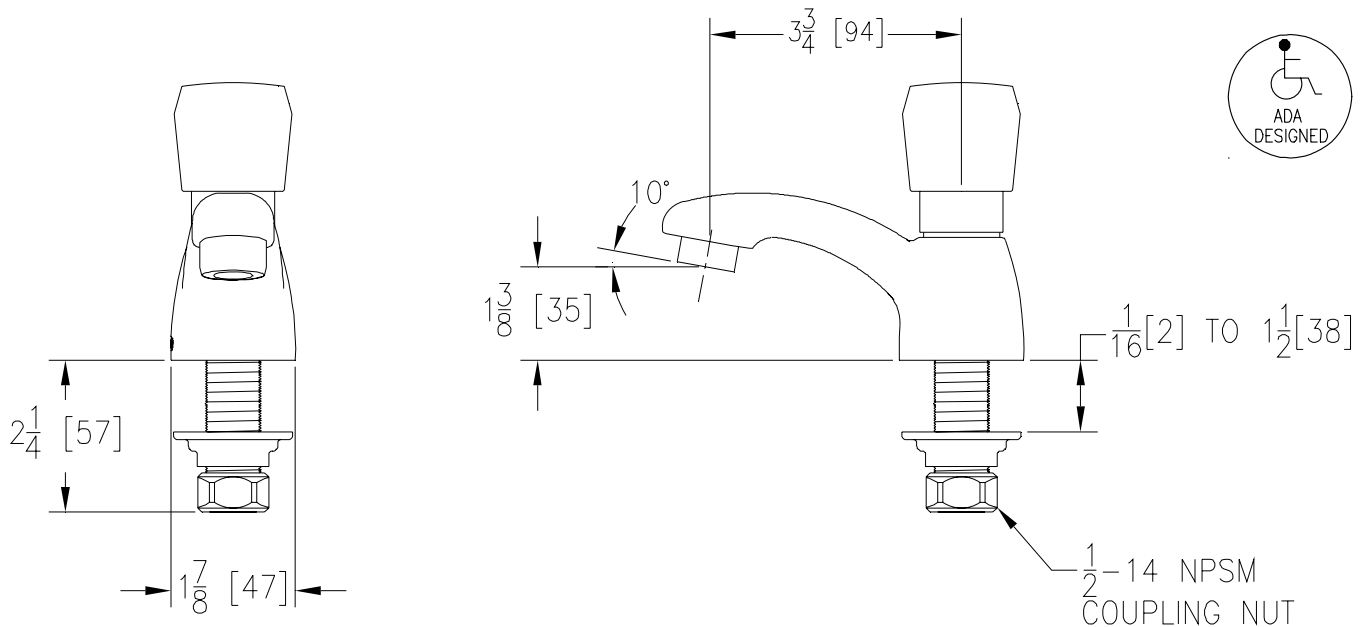
## Z86100

TAG \_\_\_\_\_



### Engineering Specifications: Zurn AquaSpec® Z86100

Polished chrome-plated single basin lavatory, slow-closing metering faucet with an integral brass 3-3/4" [95mm] centerline spout, and a vandal-resistant, ADA compliant color-coded handle. Easily adjustable cycle time, preset to 10 seconds at 80 PSI. Unit is furnished with a water-conserving spray outlet which reduces flow to .25 GPC [1.0 GPM] (complying with ANSI A112.18.1 Standard for flow), integral shank filter, mounting hardware and a 1/2" NPSM coupling nut for standard lavatory riser.



Note: All dimensions are for reference only. Do not use for pre-plumbing

### OPTIONAL ACCESSORIES

Suffix	Description
___-CS	Check Stop
___-CP4	Chrome-Plated 4" [102mm] Cover Plate
___-G	1-1/4" [32mm] Grid Strainer Drain
___-GH	1-1/4" [32mm] Offset Handicap Drain
___-IN	Institutional Handle - Tamper-Proof and Vandal-Resistant
___-MY	Mixing Yoke
___-MYCS	Mixing Yoke with Check Stops
___-PT	1-1/4" [32mm] Cast Brass P-Trap with a 7-1/2" [191mm] Long 17-Gauge Wall Bend
___-RKR	ADA Compliant Rocker Handle
___-3M	0.5 GPM [1.9 L] Vandal-Resistant Pressure Compensating Male Spray Outlet
___-16M	1.0 GPM [3.8 L] Vandal-Resistant Pressure Compensating Male Spray Outlet

ZURN INDUSTRIES, INC. ♦ COMMERCIAL BRASS OPERATION ♦ 2640 SOUTH WORK STREET ♦ FALCONER NY 14733

Phone: 1-716-665-1132 ♦ Fax: 1-716-665-1135 ♦ World Wide Web: [www.zurn.com](http://www.zurn.com)

In Canada: ZURN INDUSTRIES LIMITED ♦ 3544 Nashua Drive ♦ Mississauga, Ontario L4V1L2 ♦ Phone: 905/405-8272 Fax: 905/405-1292